



Product Change Notification

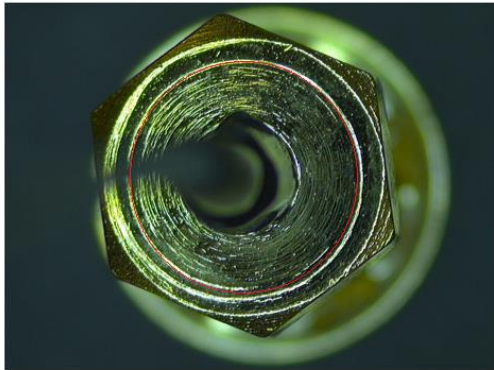
Product:	RF Cable Assembly, I-Pex MHF Plug to RP SMA Bulkhead Jack to 1.13mm Cable
Originator:	Vincent Ji
PCN Number:	PC-CA468-011

Series Numbers Concerned:	CAB468RF Revision 1.0 to Revision 1.1
Issue Date:	22 nd December 2022
Pages:	2

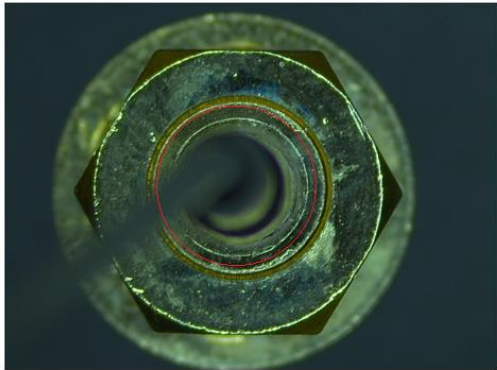
Background and Nature of change:

- 1. Nut Thickness Changed from 1.8mm to 1.75mm thick.
- 2. Different machining techniques now deployed to improve productivity. Using this construction gives added flexibility to build with different cable sizes.

Rev 1.0



Rev 1.1



Part numbers concerned:
CAB468RF – XXXX – XX – X - 1

Implementation Date:
New orders shipped from Gradconn from the 3rd January 2023.

Last time Buy:
Not applicable as this is a rolling change

Replacement :
Same part number applies.

Impact : No impact on function or performance.

Further information:

Please find new drawing enclosed.

Contact details :
www.gradconn.com
E-mail : sales@gradconn.com

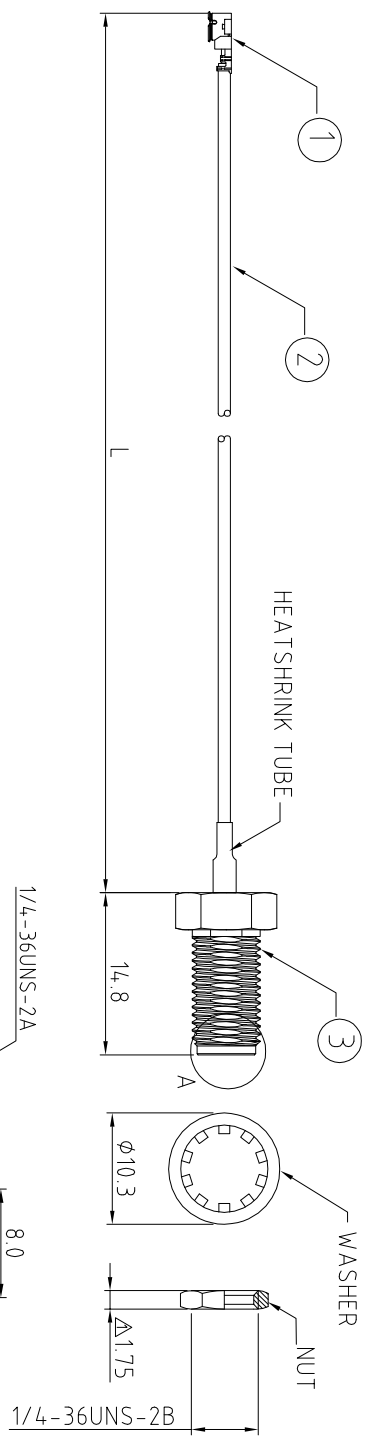


- SPECIFICATIONS:**
1. IPEX MHF PLUG, P/N: 20278-112R-13.
 2. ϕ 1.13MM COAXIAL CABLE, COLOR: GRAY.
 3. RP SMA STRAIGHT BULKHEAD JACK, GOLD PLATED, P/N: RFCT-SMA089-F13.

- NOTES:**
1. THE ORIENTATION OF CONNECTORS ON DRAWING IS FOR REFERENCE ONLY. IF THE ORDER IS LEFT BLANK THE CONNECTOR WILL NOT HAVE FIXED ORIENTATION.
 2. FIXED ORIENTATION IS SUGGESTED FOR CABLE LENGTH 25MM TO 100MM. PLEASE SPECIFY THE FIXED ORIENTATIONS FROM THE ORDER CODE (F1, F2, ETC)
 3. CONTACT GRAD CONN IF THE ORIENTATION YOU REQUIRE IS NOT SHOWN.
 4. WORKING FREQUENCY RANGE: DC-6GHZ
 5. OPERATING TEMPERATURE: -40°C TO +85°C
 6. IMPEDANCE: 50 OHM
 7. VSWR: 1.5 MAX.

USAGE PRECAUTIONS: CABLES USING 'MICRO' COAX ARE DELICATE:

- (i) HANDLE WITH CARE.
- (ii) DO NOT TWIST; APPLY EXCESSIVE FORCES OR SHARP BENDS TO THE CABLE. DO NOT FORCEFULLY DEFORM WIRES.
- (iii) CONSULT CONNECTOR MANUFACTURER'S DATASHEETS FOR DETAILED NOTES ON HANDLING INSTRUCTIONS.



HOW TO ORDER

CAB468RF - X X X X - X X - X - 1

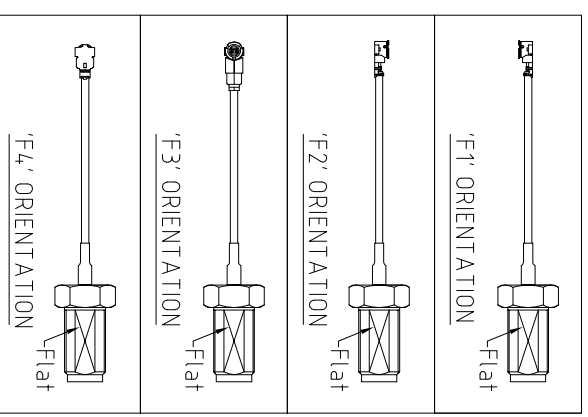
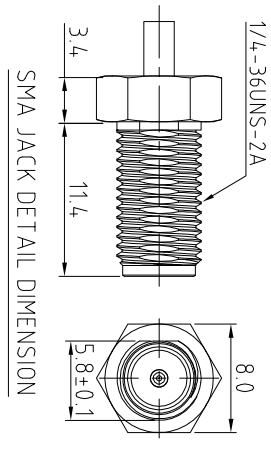
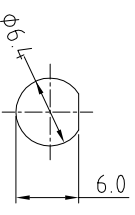
"L" LENGTH IN MM
eg: 100MM = 0100
(MIN. 0025-MAX.0400)
STANDARD = 0100, 0150, 0200)
Tolerance: <50mm : \pm 3mm.
51-200mm: \pm 5mm.
201-400mm: \pm 7mm.

CABLE SIZE OPTIONS:
1 = ϕ 1.13MM CABLE, COLOR: GRAY.

WASHER AND NUT OPTIONS:
BLANK = SEPERATELY PACKED (STANDARD)
A = ASSEMBLED WITH CONNECTOR

ORIENTATION OPTIONS:
BLANK = DOES NOT HAVE A FIXED ORIENTATION
F1 = MHF CONNECTION DOWN (L=25-200MM)
F2 = MHF CONNECTION UP (L=25-200MM)
F3 = MHF CONNECTION AND D FLAT SAME ORIENTATION (L=25-200MM)
F4 = MHF CONNECTION AND D FLAT OPPOSITE ORIENTATION (L=25-200MM)
(SEE NOTES 1, 2, 3 AND DIAGRAMS FOR MORE INFORMATION)

RECOMMENDED SMA MOUNTING HOLE



REV. DATE & DRN
10 11/05/21 - NYW RELEASE
11 15/12/22 - NYW
CHANGE NUT THICKNESS.

Scale:	NTS	THIRD ANGLE	Unstated	Tolerances:	Material
Drawn:	NYW		X XX	±0.3 ±0.2	SEE NOTE
App'd:	XXX		ANGLES	±5	NOT TO SCALE
Date:	15 DEC. '22	Title		Revision:	11

www.gradconn.com

THIS DRAWING IS CONFIDENTIAL AND MUST NOT BE COPIED OR DISCLOSED WITHOUT WRITTEN CONSENT

Drawing Number:	CAB468RF
Sheet 1 of 1	E and 0 E