



格瑞康實業有限公司

No. 139 Wuhan Rd., Longtan Township, Taoyuan County, Taiwan 32549

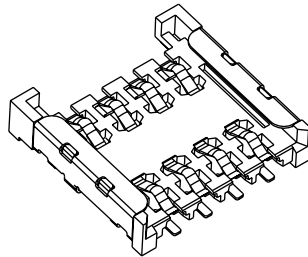
Tel: +886-3-4993132 Fax: +886-3-4991561

www.gradconn.com

PRODUCT SPECIFICATION

GradConn Part No.: CH03-FA

Product Description.: Micro 3FF SIM Card Connector





1.0 Product Specification

1.1 Features

- GSM 11.11 Standard Micro SIM Card.
- Compact Physical Size for Multi-Purpose Application.
- High Reliability Low-Friction Contact Extension operation Life of Contact.
- RoHS Directive 2002/95/EC Compliant.

2.0 Technical Characteristics

2.1 General Characteristics

Items	Standard	Description
Dimension		13.28L x 13.70W x 2.60H mm
Weight		Approx. 0.38 g
Card Size	GSM 11.11	15.0 x 12.0 x 0.76 mm
Contact Principle		Friction technology
Operating Position		Shaft up / Down / Horizontal
Mounting System		SMT Type (without post)
Durability		5,000 cycles min.

2.2 Electrical Characteristics (According to Standard IEC512)

Items	Standard	Description
Number of contacts		6, 8 pins (optional)
Contact resistance	IEC512-2-2a	50 mΩ typical, 100 mΩ max.
Insulation resistance (Pin to pin)	IEC512-2-3a	> 1000 MΩ / 500 V DC
Rated voltage		30 V max.
Rated current		1 A max.
Dielectric withstanding voltage	IEC512-2-4a	500 V AC rms 1 min. (sea level)

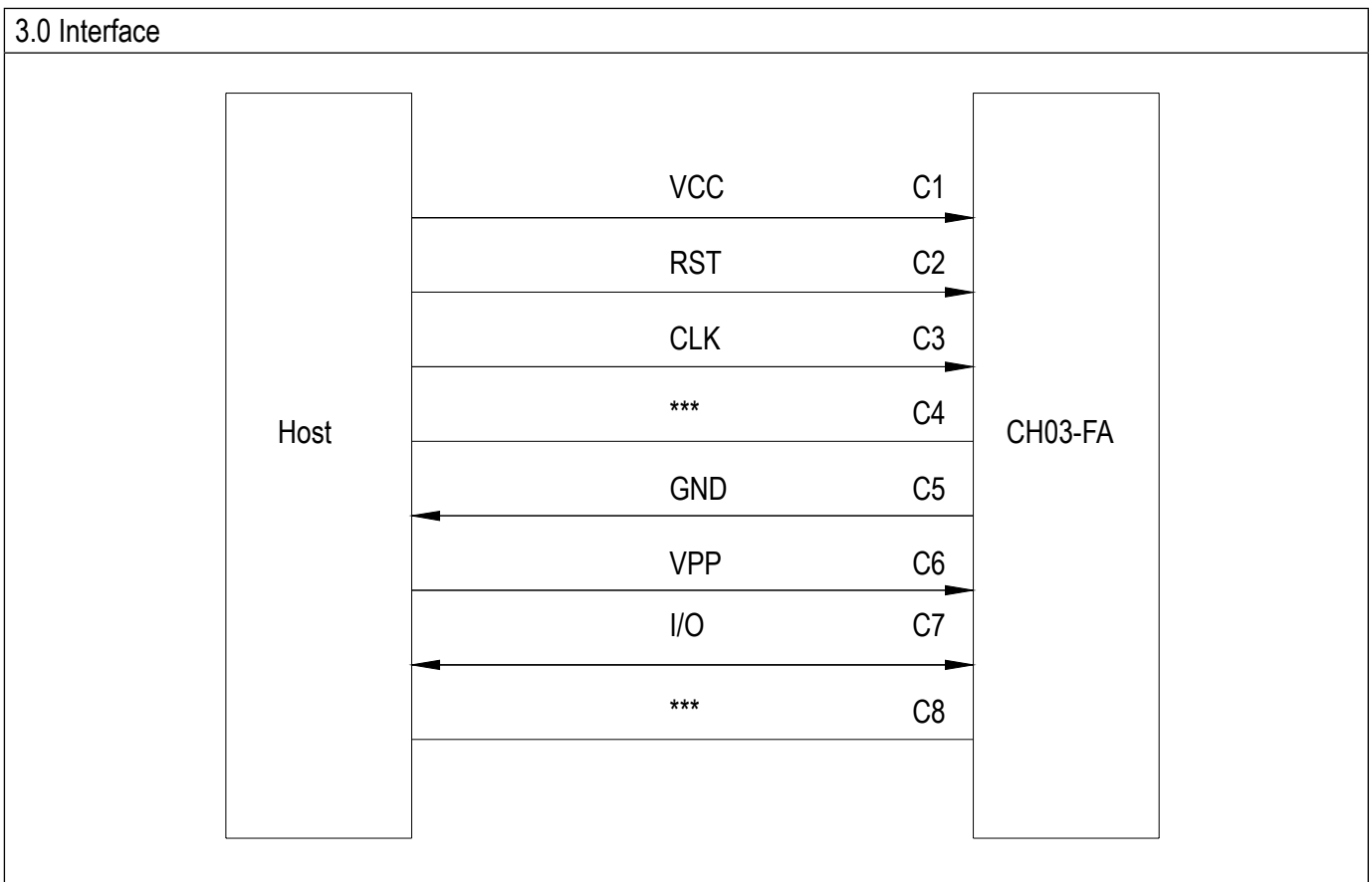
2.3 Mechanical Characteristics

Items	Standard	Description
Contact force	Micro SIM 0.76mm	0.2~0.6N
Contact location	GSM 11.11	
Data Contacts		
Material		Phosphor bronze
Plating		Gold over Nickel
Insulation material		Thermoplastic, UL 94V-0
Holder material		Phosphor bronze



2.4 Solderability (According to Standard IEC68)		
Items	Standard	Description
Wave		Not Applicable
IR reflow		260°C, 10 sec. Max.
Manual soldering	IEC68-2-20	360°C, 3 sec. Max.

2.5 Environmental Characteristics (According to Standard IEC68)		
Items	Standard	Description
Operating temperature		-40°C ~ + 85°C
Operating humidity		10 % ~ 95 % RH
Storage temperature		- 40°C ~ + 85°C
Storage humidity		10 % ~ 95 % RH





格瑞康實業有限公司

3.1 Signals			
Signal interface connections are shown below.			
Contact No.	Assignment	Description	Remark
C1	VCC	Power Voltage	
C2	RST	Reset Signal	
C3	CLK	Clocking Signal	
C4	***	Reserved for feature use	
C5	GND	Power and Signal Ground	
C6	VPP	Programming Voltage	
C7	I/O	Serial Data input/output	
C8	***	Reserved for feature use	