



格瑞康實業有限公司

No. 139 Wuhan Rd., Longtan Township, Taoyuan County, Taiwan 32549

Tel: +886-3-4993132 Fax: +886-3-4991561

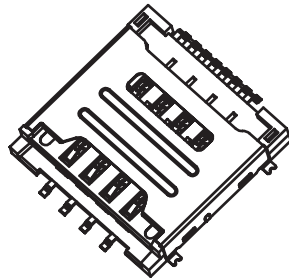
[www.gradconn.com](http://www.gradconn.com)

---

## PRODUCT SPECIFICATION

GradConn Part No.: CH03-AN

Product Description: SIM Card Connector - Dual 8 Contact Type



1.0 Product Specification
---------------------------

1.1 Features
GSM 11.11 Standard SIM Card

2.0 Technical Characteristics
-------------------------------

2.1 General Characteristics		
Items	Standard	Description
Dimension		17.50L x 17.50W x 3.05H mm.
Weight		Approx. 0.7g.
Card Size	GSM 11.11	25.0 x 15.0 x 0.76 mm.
Contact Principle		Friction technology.
Operating Position		Shaft up / Down / Horizontal.
Mounting System		SMT Type (without post).
Durability		5,000 cycles min.
Material		
Insulator		Thermoplastic UL94V-0.
Data Contact		Phosphor Bronze.
Cover		Stainless steel.
Plating		Gold over Nickel.

2.2 Electrical Characteristics (According to Standard IEC512)		
Items	Standard	Description
Number of Contacts		8 pins (Dual SIM type).
Contact Resistance	IEC512-2-2a	50 mΩ typical, 100 mΩ max.
Insulation Resistance Pin to Pin	IEC512-2-3a	>1000 MΩ/500 VDC.
Rated Voltage		30 V max.
Rated Current		1 A max.
Dielectric Withstanding Voltage	IEC512-2-4a	500 V AC rms 1 min. (sea level).



2.3 Mechanical Characteristics		
Items	Standard	Description
Contact Location	GSM 11.11	
Contact Height		0.40+0.25/-0.00mm.
Contact Force	SIM Card 0.76mm	≥0.5N.

2.4 Solderability (According to Standard IEC68)		
Items	Standard	Description
IR Reflow		250°C, 5 sec. max.
Manual Soldering	IEC68-2-20.	360°C, 3 sec. max.

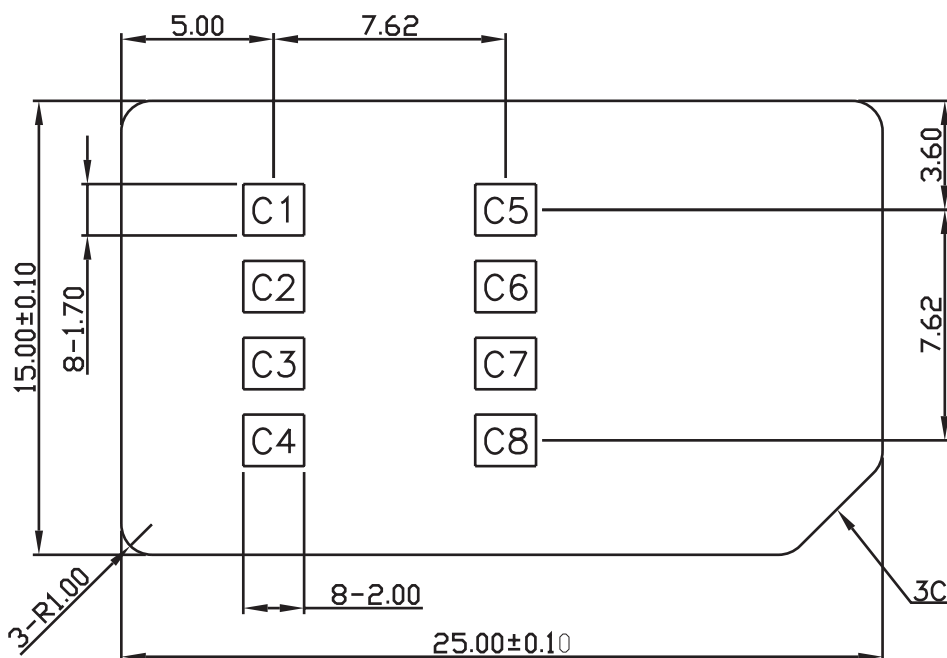
2.5 Environmental Characteristics (According to Standard IEC68)		
Items	Standard	Description
Operating Temperature		-40°C ~ + 85°C.
Operating Humidity		10% ~ 95% RH.
Storage Temperature		- 40°C ~ + 85°C.
Storage Humidity		10% ~ 95% RH.
Thermal Shock		-40°C ~ +85°C, 5 cycles.
Damp Heat		40°C, 90%RH, 10 days.
Salt-Mist		35°C, 5% NaCl, 24HR.

3.0 Interface

3.1 Signals

Contact No	Assignment	Description
C1	VCC	Power Voltage.
C2	RST	Reset signal.
C3	CLK	Clocking signal.
C4	***	Reserved for feature use.
C5	GND	Power and signal ground.
C6	Vpp	Programming voltage.
C7	I/O	Serial data input/output.
C8	***	Reserved for feature use.

3.2 SIM Card Dimension (According to Standard GSM 11.11)



Thickness: 0.76 +/- 0.08 mm