

RFPC-TNC01-FN: TNC Right Angle Bulkhead Jack With O-ring, PCB Connector, Rated to IP67/68

Material and Plating:

- Insulator A: Teflon
- Insulator B: Teflon
- Insulator C: Teflon
- Body: Brass, Nickel Plated
- Pin: Brass, Gold Plated
- Center Pin: Phosphor Bronze, Gold Plated
- Gasket: Silicone, Color: Red
- O-Ring: Silicone, Color: Red
- Cap: Brass, Nickel Plated

Washer: Brass, Nickel Plated

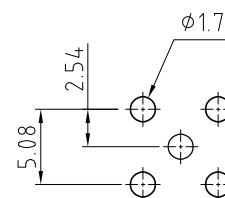
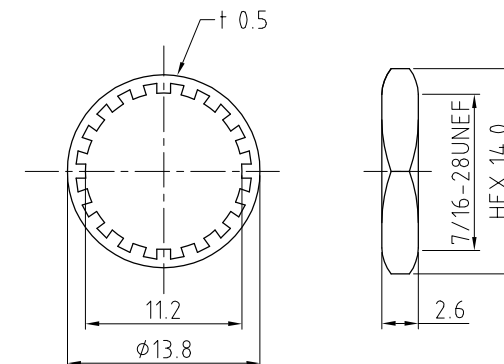
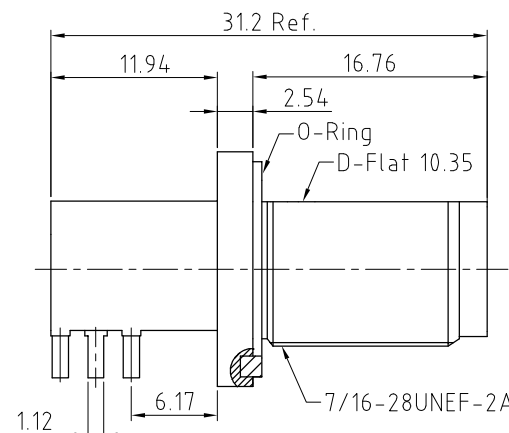
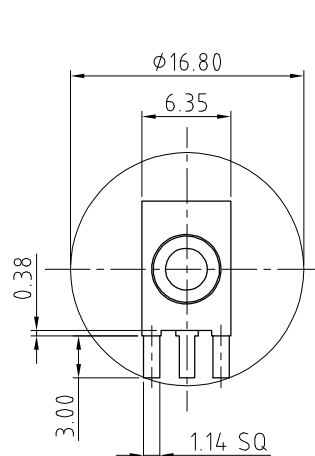
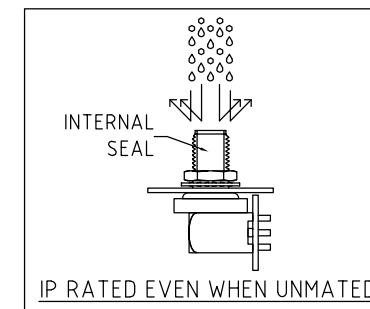
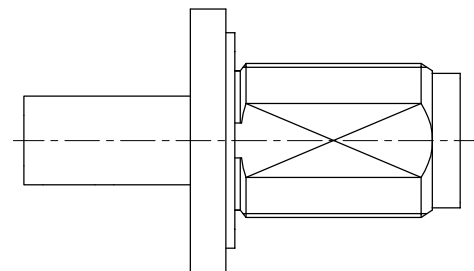
Nut: Brass, Nickel Plated

Environmental:

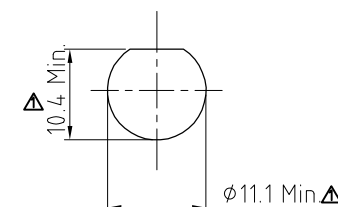
- A. Rated to:
 - i. IP6x - Dust tight - no particle ingress.
 - ii. IPx7 Waterproof for 30 minutes up to 1 meter underwater.
 - iii. IPx8 Waterproof for 48 hours at 1 meter underwater.

Notes:

- 1. Working Frequency Range: DC-4GHz.
- 2. Impedance: 50ohm.
- 3. Operating Temperature: -55°C~+155°C.



Recommended PCB Hole Layout



Recommended Mounting Hole

Applicable Panel Thickness:
Min. 0.7mm ~ Max. 2.7mm

HOW TO ORDER
RFPC - TNC01 - FN - X
WASHER AND NUT OPTIONS:
BLANK = SEPARATELY PACKED (STANDARD)
A = ALL ASSEMBLED WITH CONNECTOR

REV. DATE & DRN
10 25/03/22 - NYW RELEASE
11 11/04/22 - NYW AMEND WASHER & NUT PLATING
12 19/10/22 - NYW HOLE SIZE.
13 08/02/23 - NYW AMEND CAP PLATING
14 20/03/24 - NYW ADD GASKET TO MATERIAL.
15 31/03/24 - CC ADD IP RATING VIEW
16 12/05/25 - NYW ADD GCT LOGO.

Scale: NTS	THIRD ANGLE	Unstated .X .XX .XXX ANGLES	Tolerances: ±0.20 ±0.20 ±0.20 ±3°
Drawn: CC			
App'd: XXX	Title TNC PCB Connector		
Date: 12 MAY '25	Revision: 1.6	Unit: mm	

IP Rated
RF Products



Type: RFPC-TNC01-FN
RFPC-TNC01-FN
Drawing Number:
Sheet 1 of 1
Drawing © E and O E