

RFPC-SMA16-FN: SMA Straight Bulkhead Jack With O-ring, PCB Connector, Rated to IP67/68, 3GHz

Material and Plating:

- Insulator A: Teflon
- Insulator B: Teflon
- Body: Brass, Gold Plated
- Pin: Phosphor Bronze, Gold Plated
- Gasket: Silicon, Color: Red
- O-Ring: Silicone, Color: Red

Washer: Brass, Gold Plated

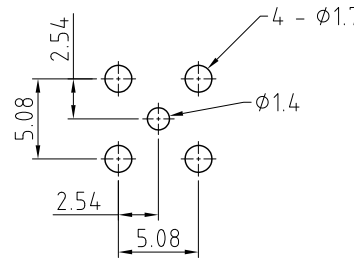
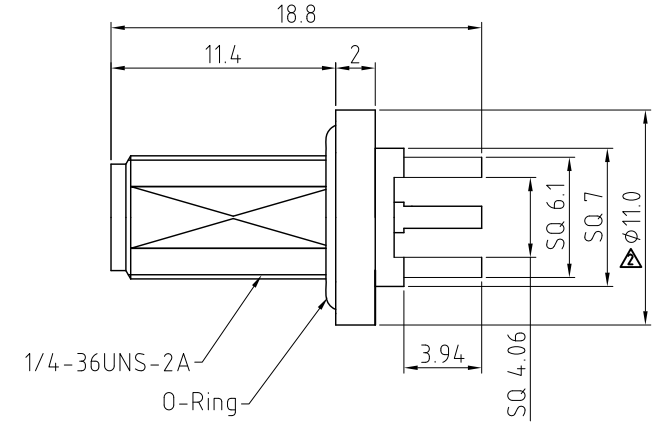
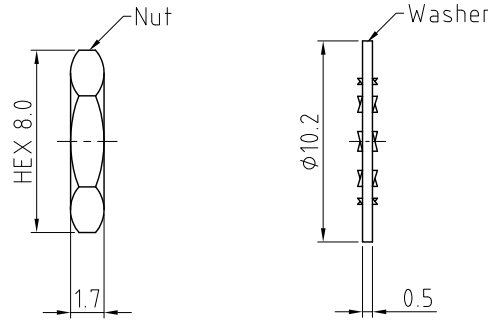
Nut: Brass, Gold Plated

Environmental:

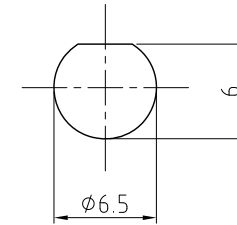
- A. Tested to:
  - i. IP6x - Dust tight - no particle ingress.
  - ii. IPx7 Waterproof for 30 minutes up to 1 meter underwater.
  - iii. IPx8 Waterproof for 48 hours at 1 meter underwater.

Notes:

1. Packaging Type: Tray.
2. Working Frequency Range: DC-3GHz.
3. Operating Temperature: -55°C~+155°C
4. The waterproof sealing function will work once the sealing o-ring is completely pressed and fitted to the device's panel.
5. Impedance: 50 ohm.



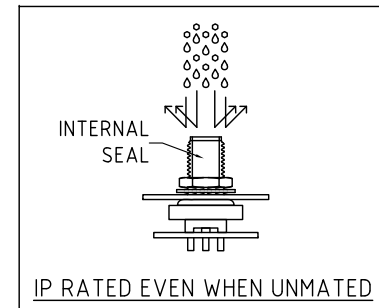
Recommended PCB Hole Layout



Recommended Mounting Hole

Applicable Panel Thickness:  
Min. 0.7mm ~ Max. 3.2mm

HOW TO ORDER  
RFPC - SMA16 - FN - X  
WASHER AND NUT OPTIONS:  
BLANK = SEPARATELY PACKED (STANDARD)  
A = ALL ASSEMBLED WITH CONNECTOR



REV. DATE & DRN	10 30/07/18 - NYW RELEASE
11 30/08/18 - NYW AMEND PIN MATERIAL	
12 27/12/18 - NYW AMEND DIMENSION	
13 18/02/19 - NYW ADD WASHER & NUT OPTIONS	
14 ADD OPERATING TEMP.	
15 25/02/22 - NYW ADD SQ. TO DIMENSIONS.	
16 16/02/23 - NYW ADD IMPEDANCE.	
17 20/03/24 - NYW ADD PANEL THICKNESS.	
18 31/03/24 - CC ADD IP RATING VIEW	

Scale: NTS	THIRD ANGLE	Unstated Tolerances: .X N/A .XX N/A .XXX N/A ANGLES N/A
Drawn: CC		
App'd: XXX	Title SMA PCB Connector	
Date: 31 MAR. '24	Revision: 1.8	Unit: mm

		Type: RFPC-SMA16-FN
IP Rated RF Products	www.gradconn.com	RFPC-SMA16-FN
© THIS DRAWING IS CONFIDENTIAL AND MUST NOT BE COPIED OR DISCLOSED WITHOUT WRITTEN CONSENT		Drawing Number:
		Sheet 1 of 1
		Drawing © E and O E