

RFCT-TNC016-F78: TNC STRAIGHT BULKHEAD JACK WITH O-RING ISOLATED GROUND RATED TO IP67, FOR RG178 CABLE, 6GHz

Material and Plating:

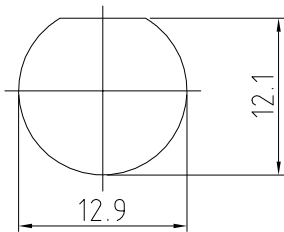
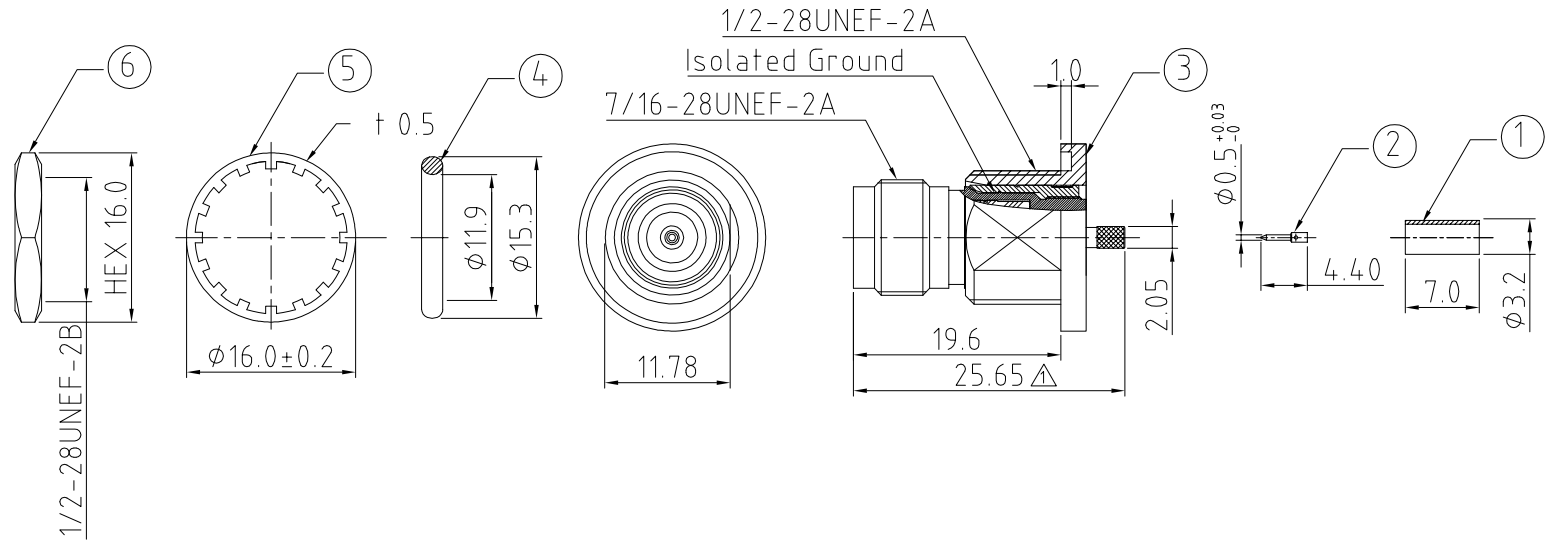
1. Ferrule: Brass, Nickel Plated.
2. Center Pin: Brass, Gold Plated.
3. Body: Brass Nickel Plated.
4. O-Ring: Silicon, Color: Black.
5. Washer: Stainless Steel, Nickel Plated.
6. Nut: Brass, Nickel Plated.

Environmental:

- A. Teted to:  
IP6x - Dust tight - no particle ingress.
- B. Rated to:  
IPx7 Waterproof for 30 minutes up to 1 meter underwater.

Note:

1. Care should be taken not to overtighten the mating connector. Overtightening risks compromising the IP rating of the connector.



RECOMMENDED MOUNTING HOLE  
MAX. PANEL THICKNESS: 4MM  
TOLERANCE: ±0.1

REV. DATE & DRN	10_03/07/20 - NYW RELEASE
	11_05/08/20 - NYW ADD MOUNTING HOLE DIM.
	12_17/09/20 - NYW DIMENSION MODIFICATION
	13_23/03/21 - NYW UPDATE ENVIRONMENTAL INFO
	14_03/08/21 - NYW ADD IP67 RATING FREQUENCY
	15_07/05/22 - NYW REMOVE IP68 RATING ADD NOTE 1.

Scale:	NTS	THIRD ANGLE	Unstated Tolerances:
Drawn:	NYW		.X ±0.2
App'd:	XXX		.XX ±0.2
Date:	17 MAY '22	Title TNC BULKHEAD JACK	.XXX ±0.2
	Revision: 1.5	Unit: mm	ANGLES ±3°

IP67 Rated Cables

www.gradconn.com

© THIS DRAWING IS CONFIDENTIAL AND MUST NOT BE COPIED OR DISCLOSED WITHOUT WRITTEN CONSENT

Type:	RFCT-TNC016-F78
	RFCT-TNC016-F78
Drawing Number:	Sheet 1 of 1
Drawing	© E and O E