

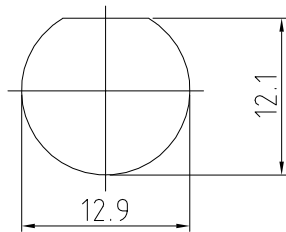
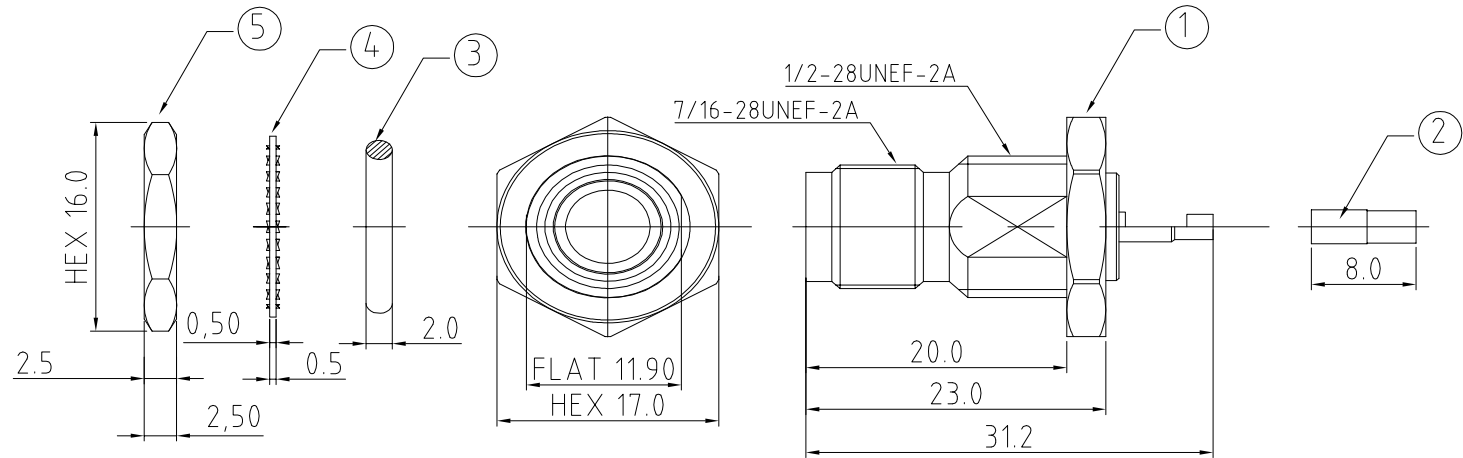
RFCT-TNC006-F78: TNC STRAIGHT BULKHEAD JACK WITH O-RING RATED TO IP67/68, SOLDER FOR  $\phi 0.81$  - RG178 CABLE, 6GHz

Material and Plating:

- 1. Barrel: Brass, Nickel Plated.  
Gasket: Silicon.  
Pin: Phosphor Bronze, Gold Plated.  
Insulator A: Teflon.  
Insulator B: Teflon.  
Body: Brass, Nickel Plated.
- 2. Ferrule: Brass, Nickel Plated.
- 3. O-ring: Silicon.
- 4. Washer: Stainless Steel, Nickel Plated.
- 5. Nut: Brass, Nickel Plated.

Environmental:

- A. Rated to:
  - i. IP6x - Dust tight - no particle ingress.
  - ii. IPx7 Waterproof for 30 minutes up to 1 meter underwater.
  - iii. IPx8 Waterproof for 48 hours at 1 meter underwater.



RECOMMENDED MOUNTING HOLE  
MAX. PANEL THICKNESS: 4MM  
TOLERANCE:  $\pm 0.1$

REV.	DATE & DRN
10	23/08/16 - R/H RELEASE
11	17/03/17 - NYW DRAWING AMENDMENT.
12	03/08/21 - NYW ADD WORKING FREQUENCY.

Scale:	NTS	THIRD ANGLE	Unstated Tolerances:
Drawn:	RJH		.X $\pm 0.2$
App'd:	XXX	Title	.XX $\pm 0.1$
Date:	3 AUG. '21	TNC BULKHEAD JACK	.XXX $\pm 0.05$
	Revision:	1.2	ANGLES $\pm 5$
	Unit:	mm	

IP67/68 Rated Cables

[www.gradconn.com](http://www.gradconn.com)

© THIS DRAWING IS CONFIDENTIAL AND MUST NOT BE COPIED OR DISCLOSED WITHOUT WRITTEN CONSENT

Type:	RFCT-TNC006-F78
	RFCT-TNC006-F78
Drawing Number:	
Sheet	1 of 1
Drawing	© E and O E