

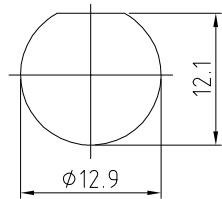
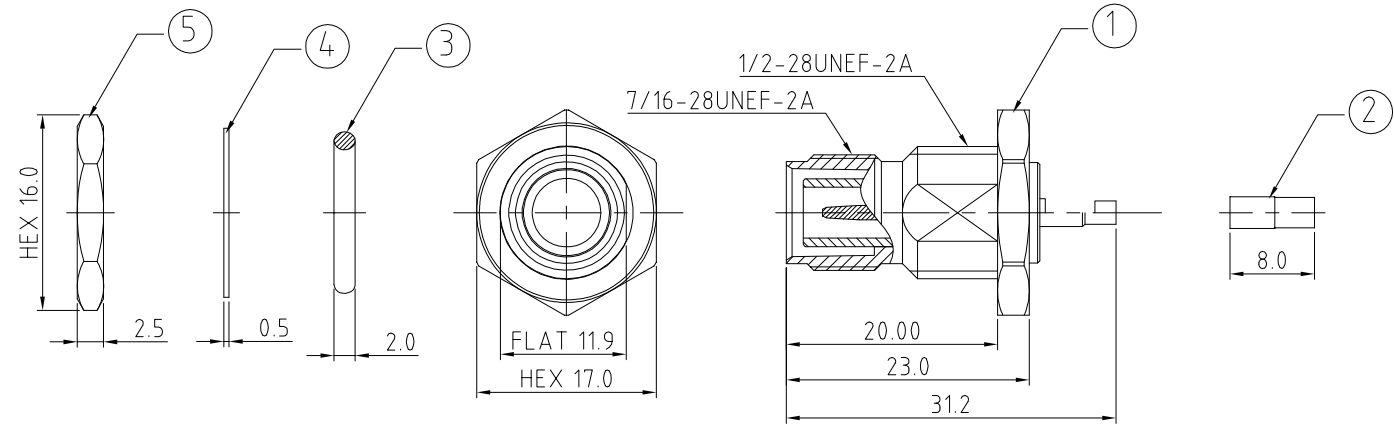
RFCT-TNC004-F78: RP TNC STRAIGHT BULKHEAD JACK WITH O-RING RATED TO IP67/68, FOR Ø0.81 - RG178 CABLE, 3GHz

Material and Plating:

- 1. Barrel: Brass, Nickel Plated.
Gasket: Silicon, Color: Red.
Pin: Brass, Gold Plated.
Insulator A: Teflon.
Insulator B: Teflon.
Body: Brass, Nickel Plated.
- 2. Ferrule: Brass, Nickel Plated.
- 3. O-ring: Silicon, Color: Black.
- 4. Washer: Stainless Steel, Nickel Plated.
- 5. Nut: Brass, Nickel Plated.

Environmental:

- A. Tested to:
- i. IP6x - Dust tight - no particle ingress.
 - ii. IPx7 Waterproof for 30 minutes up to 1 meter underwater.
 - iii. IPx8 Waterproof for 48 hours at 1 meter underwater.
 - iv. IPx8 Waterproof for 12 hours at 5 meters underwater.
 - v. Pressure test - 1 bar for 10 seconds.



RECOMMENDED MOUNTING HOLE
MAX. PANEL THICKNESS: 4MM
TOLERANCE: ±0.1

REV. DATE & DRN
10 25/06/15 - NYW RELEASE
11 29/10/15 - NYW
- ADD IP67/68 RATING INFO.
12 17/03/17 - NYW
DRAWING AMENDMENT.
13 03/08/21 - NYW
ADD WORKING FREQUENCY.

Scale: NTS	THIRD ANGLE	Unstated X .XX .XXX ANGLES	Tolerances: ±0.2 ±0.2 ±0.2 ±5
Drawn: NYW			
App'd: XXX	Title TNC BULKHEAD JACK		
Date: 3 AUG. '21	Revision: 1.3	Unit: mm	

IP67/68 Rated Cables

www.gradconn.com

Type: RFCT-TNC004-F78
RFCT-TNC004-F78
Drawing Number:
Sheet 1 of 1
Drawing © E and O E