

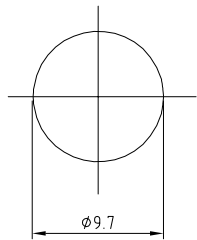
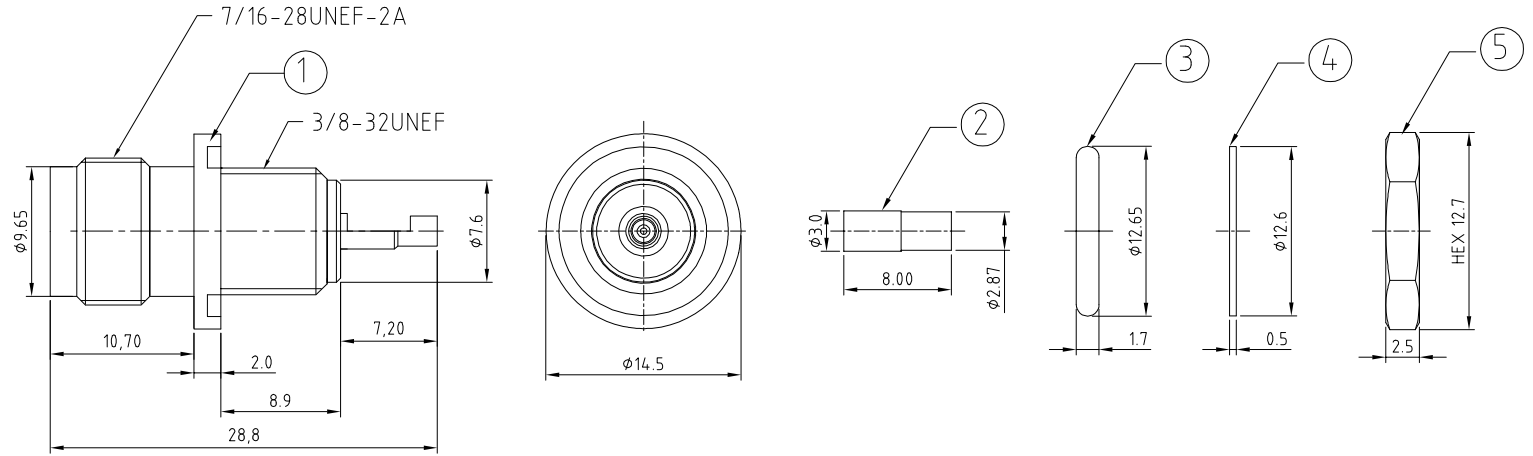
RFCT-TNC003-F78: RP TNC STRAIGHT FRONT MOUNT BULKHEAD JACK WITH O-RING RATED TO IP67/68, FOR $\phi 0.81$ - RG178 CABLE, 3GHz

Material and Plating:

- 1. Barrel: Brass, Nickel Plated.
Gasket: Silicon, Color: Red.
- Pin: Brass, Gold Plated.
- Insulator A: Teflon.
- Insulator B: Teflon.
- Body: Brass, Nickel Plated.
- 2. Ferrule: Brass, Nickel Plated.
- 3. O-ring: Silicon, Color: Red.
- 4. Washer: Phosphor Bronze, Nickel Plated.
- 5. Nut: Brass, Nickel Plated.

Environmental:

- A. Rated to:
 - i. IP6x - Dust tight - no particle ingress.
 - ii. IPx7 Waterproof for 30 minutes up to 1 meter underwater.
 - iii. IPx8 Waterproof for 48 hours at 1 meter underwater.



RECOMMENDED MOUNTING HOLE
MAX. PANEL THICKNESS: 3.9MM
TOLERANCE: ± 0.1

REV. DATE & DRN	10. 23/06/15 - NYW RELEASE
	11. 25/10/15 - NYW
	ADD IP67/68 RATING INFO.
	12. ADD PANEL THICKNESS INFO.
	13. 17/03/17 - NYW
	DRAWING AMENDMENT.
	14. 03/08/21 - NYW
	ADD WORKING FREQUENCY.

Scale: NTS	THIRD ANGLE	Unstated .X .XX .XXX ANGLES	Tolerances: ± 0.2 ± 0.2 ± 0.2 ± 5
Drawn: NYW			
App'd: XXX	Title CABLE ASSEMBLY		
Date: 3 AUG '21	Revision: 1.4	Unit: mm	

IP67/68 Rated Cables

www.gradconn.com

Type: RFCT-TNC003-F78
RFCT-TNC003-F78
Drawing Number:
Sheet 1 of 1
Drawing © E and O E