

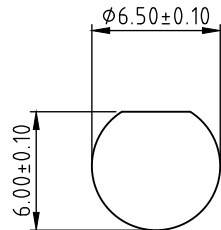
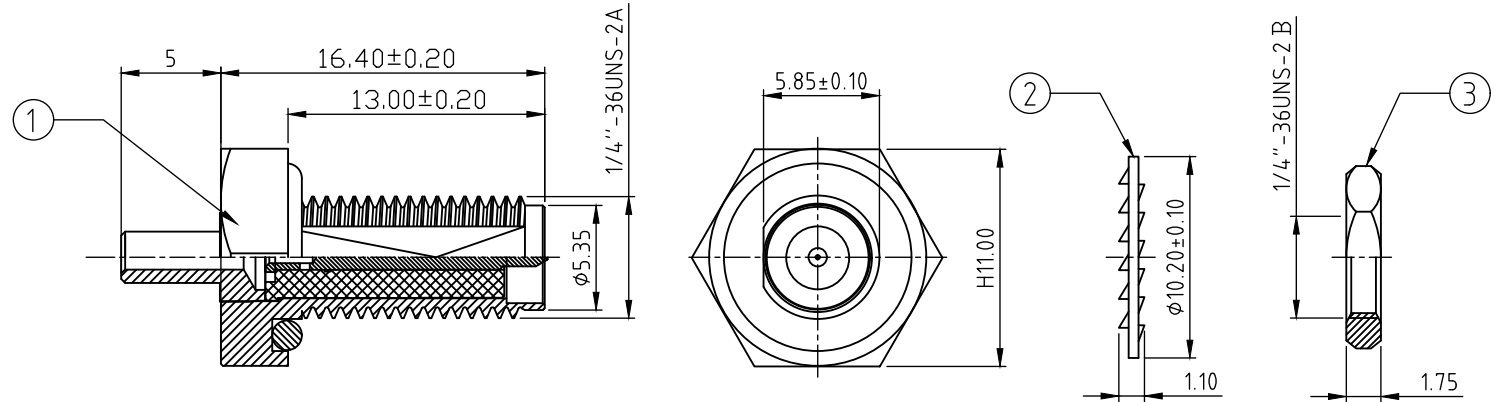
RFCT-SMA136-F13: RP SMA STRAIGHT BULKHEAD JACK WITH O-RING, RATED TO IP67, FOR 1.13MM CABLE, 6GHZ

Material and Plating:

- 1. Body: Brass, Gold Plated.  
 Barrel: Brass, Gold Plated.  
 Pin: Brass, Gold Plated.  
 Insulator: PTFE, White.  
 O-ring: Silicone, Black
- 2. Washer: Brass, Gold plated
- 3. Nut: Brass, Gold plated

Environmental:

- A. Tested to:
  - i. IP6X - Dust tight - no particle ingress.
  - ii. IPX7 Waterproof for 30 minutes up to 1 meter underwater.



RECOMMENDED MOUNTING HOLE  
 MAX. PANEL THICKNESS: 2.2MM

REV. DATE & DRN
1.0 01/02/23 - CC RELEASE
1.1 07/12/23 - CC Update product description

Scale: NTS	THIRD ANGLE	Unstated	Tolerances:
Drawn: CC		.X ±0.2	.XX ±0.1
App'd: XXX	Title RP SMA BULKHEAD JACK	.XXX ±0.05	ANGLES ±1°
Date: 7 DEC, '23	Revision: 1.1	Unit: mm	

IP67/68 Rated Cables

www.gradconn.com

Type: RFCT-SMA136-F13
RFCT-SMA136-F13
Drawing Number:
Sheet 1 of 1
Drawing © E and O E