

RFCT-SMA122-F78: SMA STRAIGHT BULKHEAD JACK WITH O-RING RATED TO IP68/69K, FOR RG178 CABLE, WITH SUS316 STAINLESS STEEL BODY, 6GHz

Material and Plating:

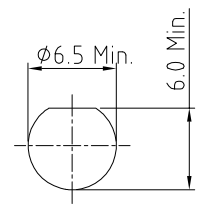
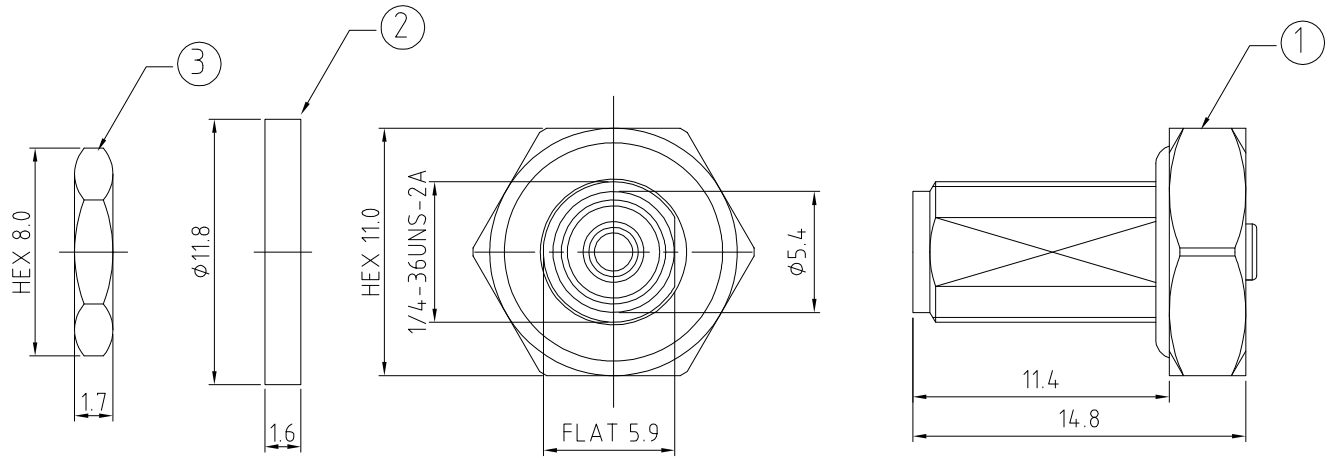
1. Barrel: Brass, Gold Plated.  
Sleeve: Brass, Gold Plated.  
Gasket: Silicone Rubber, Color: Red.  
Pin: Brass, Gold Plated.  
Pin A: Phosphor Bronze, Gold Plated.  
Insulator: Teflon.  
Body: SUS316, Passivated.  
O-ring: EPDM, Color: Black.
2. Washer: SUS316.
3. Nut: SUS316, Passivated.

Environmental:

- A. Tested to:
- i. IP6x - Dust tight - no particle ingress.
  - ii. IPx8 Waterproof for 48 hours at 1 meter underwater.
  - iii. IPx9K Water spray, 14-16L per minute, at 8,000 ~ 10,000 kPa, at 100-150mm distance for 30 seconds.

Notes:

1. Please use the recommended torque forces for stainless connectors. This is published on Gradconn.com resources page.



HOW TO ORDER  
RFCT-SMA122-F78 - 1  
O-RING MATERIAL:  
1 = EPDM, COLOR: BLACK (STANDARD)

REV. DATE & DRN  
TO 01/12/23 - NYW RELEASE

Scale: NTS	THIRD ANGLE	Unstated X .XX .XXX ANGLES	Tolerances: $\pm 0.2$ $\pm 0.2$ $\pm 0.2$ N/A
Drawn: NYW			
App'd: XXX	Title SMA BULKHEAD JACK		
Date: 1 DEC. '23	Revision: 1.0	Unit: mm	

IP Rated RF Products

www.gradconn.com

Type: RFCT-SMA122
RFCT-SMA122-F78
Drawing Number:
Sheet 1 of 1
Drawing © E and O E