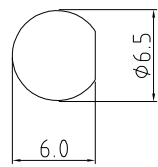
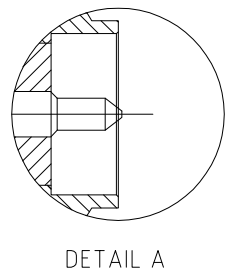
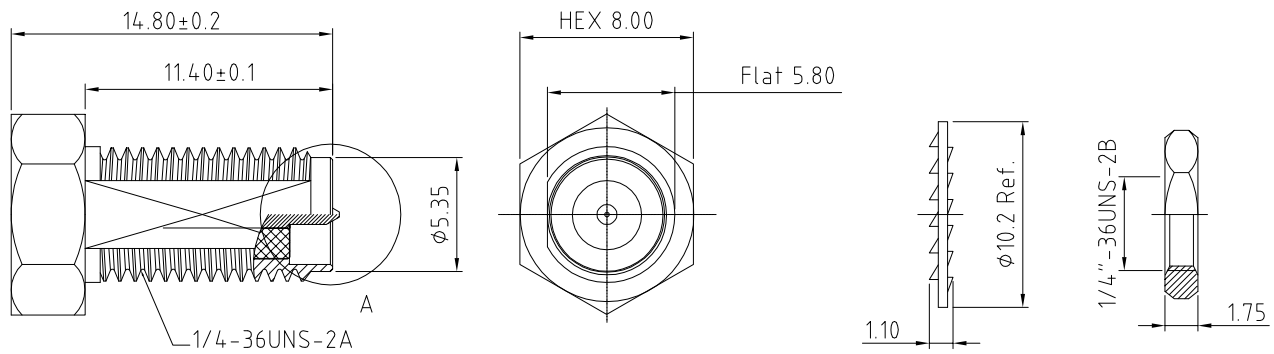


RFCT-SMA114-F08: RP SMA STRAIGHT BULKHEAD JACK FOR 0.81MM CABLE, 6GHz

Material and Plating:
 Body: Brass, Gold Plated.
 Pin: Brass, Gold Plated.
 Insulator: PTFE.
 Nut: Brass, Gold Plated.
 Washer: Brass, Gold Plated.



REV. DATE & DRN
 10 15/02/23 - NYW RELEASE
 11 28/04/23 - NYW
 AMEND NUT THICKNESS

Scale: NTS	THIRD ANGLE	Unstated X .XX .XXX ANGLES	Tolerances: N/A N/A N/A N/A
Drawn: NYW			
App'd: XXX	Title SMA BULKHEAD JACK		
Date: 28 APR. '23	Revision: 1.1	Unit: mm	

www.gradconn.com

THIS DRAWING IS CONFIDENTIAL AND MUST NOT BE COPIED OR DISCLOSED WITHOUT WRITTEN CONSENT

Type: RFCT-SMA114-F08
RFCT-SMA114-F08
Drawing Number:
Sheet 1 of 1
Drawing © E and O E