

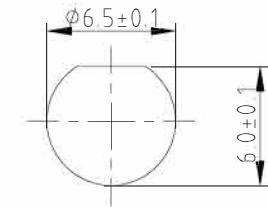
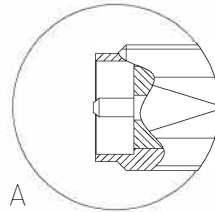
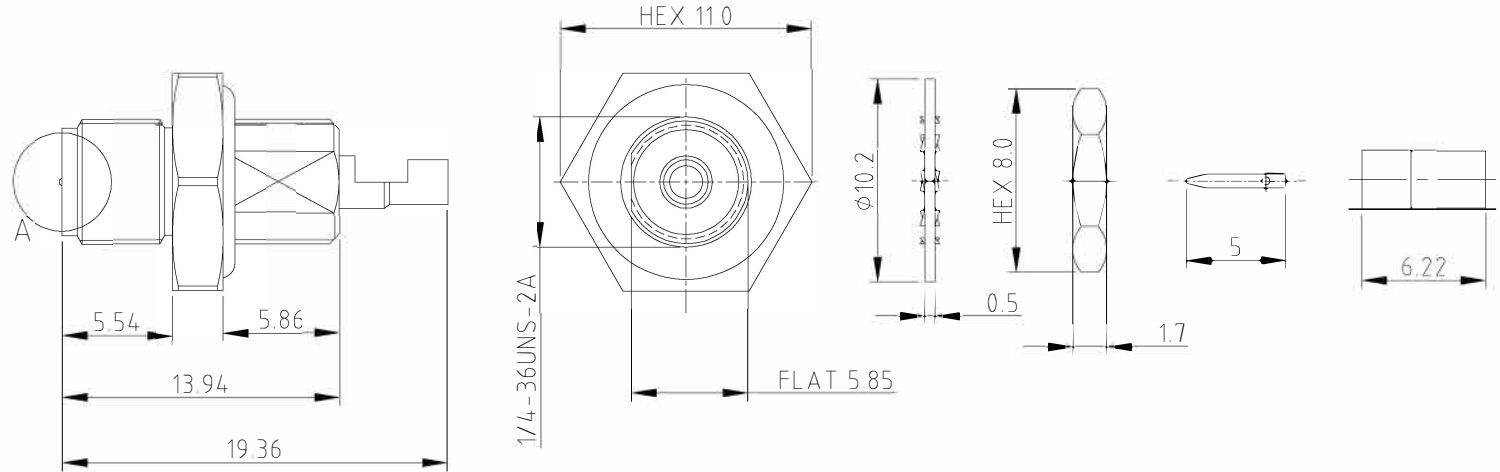
RFCT-SMA088-F78: RP Front Mount SMA Straight Bulkhead Jack with O-ring rated to IP67/68, for 1.13/1.32/1.37/RG178 Cable, 6GHz

Material and Plating:

1. Nut: Brass with Gold Plating
2. Washer: Brass with Gold Plating
3. Gasket: Silicone, Red
Body: Brass with Gold Plating
Insulator: Teflon
Pin: Brass with Gold Plating
4. Pin: Phosphor Bronze with Gold Plating
5. O-ring: Silicone, Red
6. Ferrule: Brass with Gold Plating

Environmental:

- A. Rated to:
- i. IP6x - Dust tight - no particle ingress.
 - ii. IPx7 Waterproof for 30 minutes up to 1 meter underwater.
 - iii. IPx8 Waterproof for 48 hours at 1 meter underwater.



RECOMMENDED SMA MOUNTING HOLE
MAX. PANEL THICKNESS: 4.16MM
TOLERANCE: ± 0.1

REV. DATE & DRN
TO 2/7/04/21 - NYW RELEASE

Scale: NTS	THIRD ANGLE	Unstated .X XX XXX ANGLES	Tolerances N/A N/A N/A N/A
Drawn: NYW			
App'd: XXX	Title: SMA BULKHEAD JACK		
Date: 27 APR '21	Revision: 1.0	Unit: mm	

IP67/68 Rated Cables

www.gradconn.com

Type: RFCT-SMA088-F78
RFCT-SMA088-F78
Drawing Number:
Sheet 1 of 1
Drawing © E and O E