

RFCT-SMA085-F78: SMA STRAIGHT BULKHEAD JACK WITH O-RING ISOLATED GROUND RATED TO IP67, CRIMP FOR RG178 CABLE, 6GHz

Material and plating:

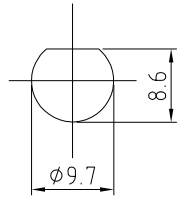
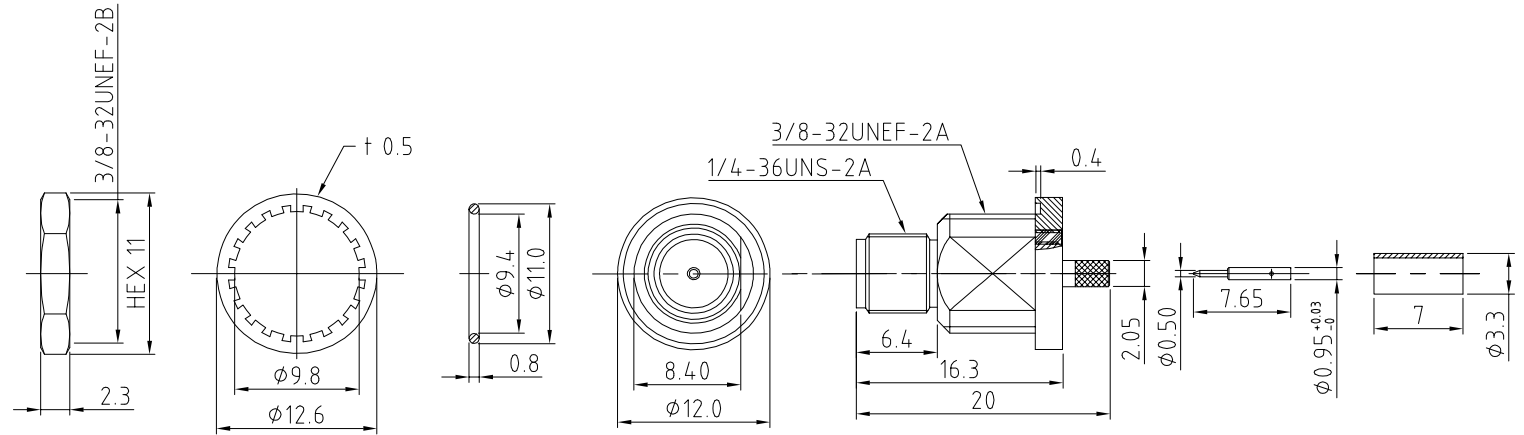
- Body A: Brass, nickel plated.
- Body B: Brass, nickel plated.
- Center Pin: Brass, gold plated.
- Insulator A: Teflon.
- O-ring: Silicone, color: red.
- Pin: Phosphor bronze, gold plated.
- Insulator B: Teflon.
- Ferrule: Brass, nickel plated.
- Washer: Stainless steel, nickel plated.
- Nut: Brass, nickel plated.

Environmental:

- A. Tested to:
 - IP6x - Dust tight - no particle ingress.
- B. Rated to:
 - IPx7 Waterproof for 30 minutes up to meter underwater.

Note:

- Care should be taken not to overtighten the mating connector. Overtightening risks compromising the IP rating of the connector.



RECOMMENDED SMA MOUNTING HOLE

REV. DATE & DRN	10 28/09/20 - NYW RELEASE
	11 19/02/21 - NYW UPDATE ENVIRONMENTAL INFO
	12 03/08/21 - NYW ADD WORKING FREQUENCY.
	13 17/05/22 - NYW ADD NOTE X8 RATING.
	14 31/07/22 - NYW UPDATE WORKING FREQUENCY.

Scale: NTS	THIRD ANGLE	Unstated X .XX .XXX ANGLES	Tolerances: N/A N/A N/A N/A
Drawn: NYW			
App'd: XXX	Title SMA BULKHEAD JACK		
Date: 31 OCT. '22	Revision: 1.4	Unit: mm	

IP67 Rated Cables

www.gradconn.com

Type: RFCT-SMA085-F78
RFCT-SMA085-F78
Drawing Number:
Sheet 1 of 1
Drawing © E and 0 E