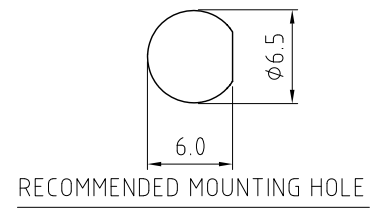
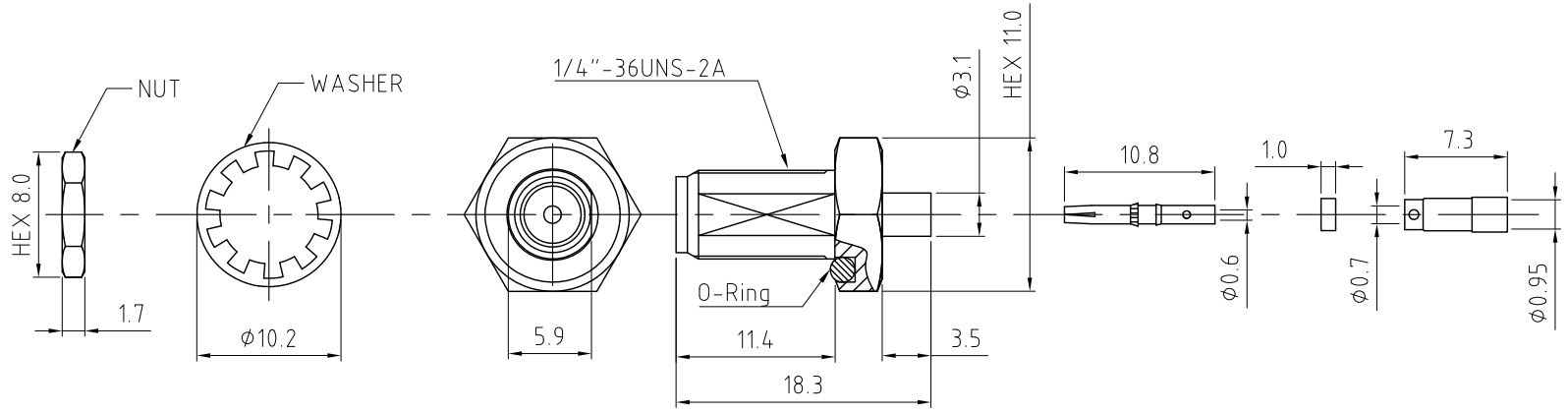


RFCT-SMA081-F08: SMA STRAIGHT BULKHEAD JACK WITH O-RING CRIMP FOR 0.81MM CABLE, IP67

Material and Plating:
 Body: Brass, Gold Plated.
 Pin: Be Cu, Gold Plated.
 Insulator A: Teflon.
 Sleeve: Brass, Zinc Plated.
 Nut: Brass, Gold.
 Washer: Brass, Gold.
 O-ring: Silicone.
 Insulator B: Teflon.

Environmental:
 A. Rated to:
 i. IP6x - Dust tight - no particle ingress.
 ii. IPx7 Waterproof for 30 minutes up to 1 meter underwater.



REV. DATE & DRN
 1.0 10/03/18 - RTW RELEASE
 1.1 07/12/23 - CC
 Add IP67 rating description
 Change drawing frame

| | | | |
|------------------|----------------------|---|---|
| Scale: NTS | THIRD ANGLE | Unstated .X .XX .XXX ANGLES | Tolerances: N/A N/A N/A N/A |
| Drawn: CC | | | |
| App'd: xxx | Title CABLE ASSEMBLY | | |
| Date: 22 APR '24 | Revision: 1.1 | Unit: mm | |

| | | |
|--|----------------------|-----------------------|
| IP Rated RF Products | www.gradconn.com | Type: RFCT-SMA081-F08 |
| | | RFCT-SMA081-F08 |
| THIS DRAWING IS CONFIDENTIAL AND MUST NOT BE COPIED OR DISCLOSED WITHOUT WRITTEN CONSENT | | Drawing Number: |
| | | Sheet 1 of 1 |
| | | Drawing © E and O E |