

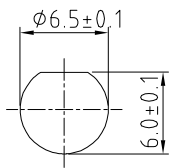
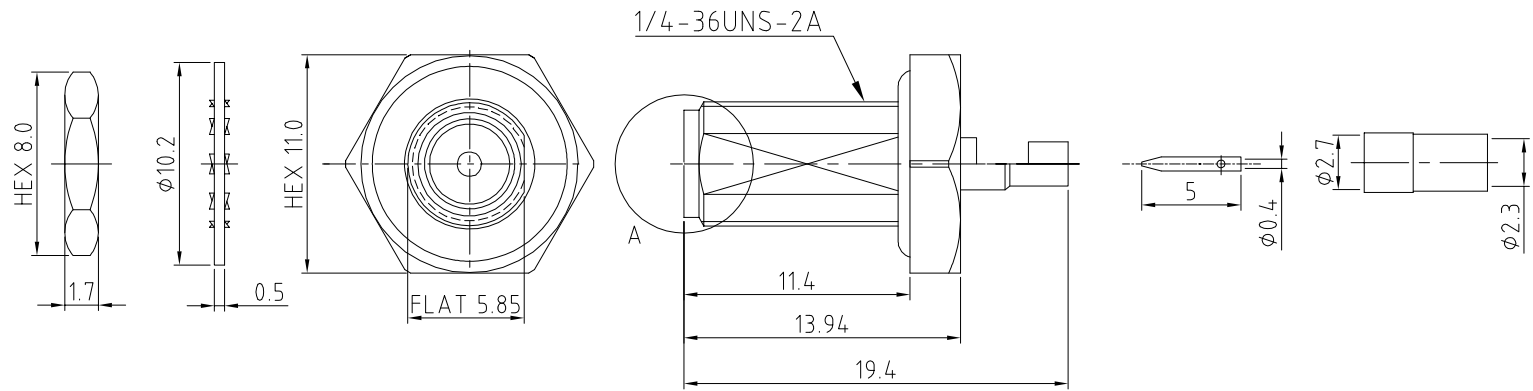
RFCT-SMA071-F78: RP SMA STRAIGHT BULKHEAD JACK WITH O-RING RATED TO IP67/68, 6GHZ, FOR 0.81/1.13/1.32/1.37/1.48/RG178 CABLES, 6GHz

Material and plating:

- 1. Nut: Brass, gold plated.
- 2. Washer: Brass, gold plated.
- 3. Body: Brass, gold plated.
Gasket: Silicone, color: red.
O-ring: Silicone, color: red.
Pin A: Brass, gold plated.
Insulator: Teflon.
- 4. Pin B: Brass, gold plated.
- 5. Ferrule: Brass, gold plated.

Environmental:

- A. Rated to:
 - i. IP6x - Dust tight - no particle ingress.
 - ii. IPx7 Waterproof for 30 minutes up to 1 meter underwater.
 - iii. IPx8 Waterproof for 48 hours at 1 meter underwater.



RECOMMENDED SMA MOUNTING HOLE
MAX. PANEL THICKNESS: 2.2MM

REV. DATE & DRN
10 10/01/20 - NYW RELEASE
11 02/08/21 - NYW
ADD WORKING FREQUENCY.

Scale: NTS	THIRD ANGLE	Unstated X .XX .XXX ANGLES	Tolerances: N/A N/A N/A N/A
Drawn: NYW			
App'd: XXX	Title SMA BULKHEAD JACK		
Date: 2 AUG. '21	Revision: 1.1	Unit: mm	

IP67/68 Rated Cables

www.gradconn.com

Type: RFCT-SMA071-F78
RFCT-SMA071-F78
Drawing Number:
Sheet 1 of 1
Drawing © E and O E