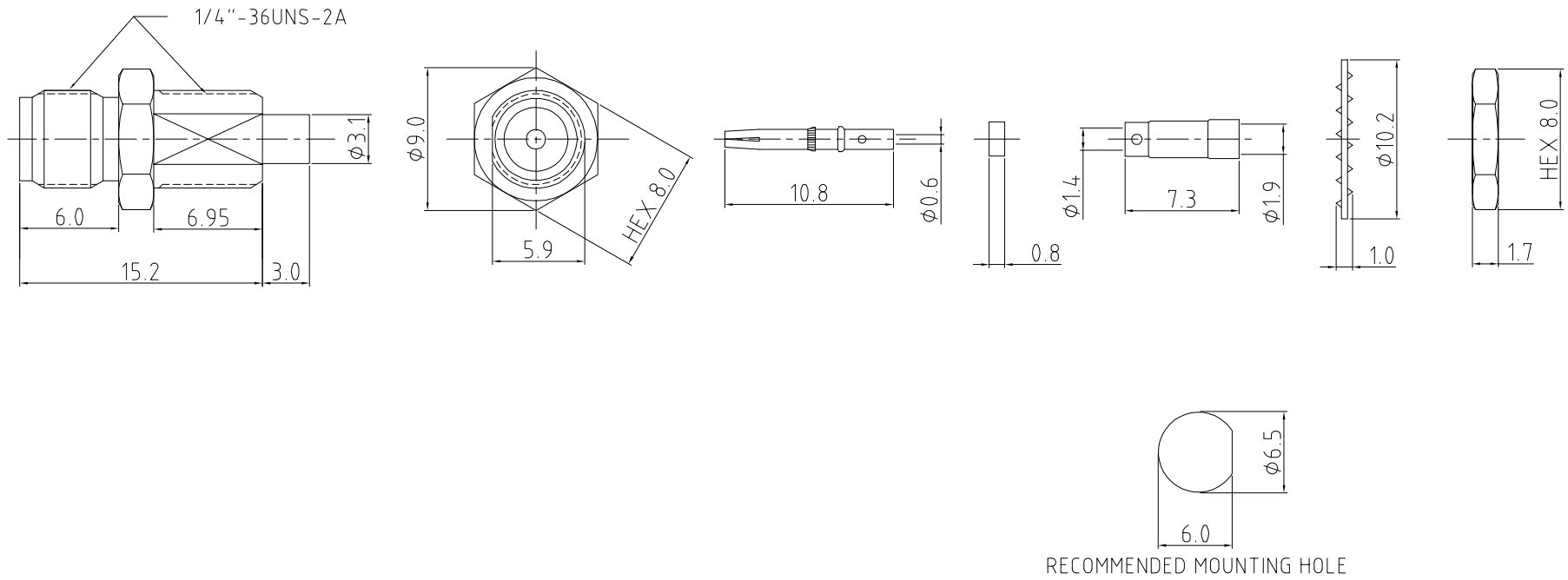


RFCT-SMA021-F78: FRONT MOUNT SMA STRAIGHT BULKHEAD JACK SOLDER FOR RG178 CABLE, 6GHz

Material and Plating:
 Body: Brass, Gold Plated.
 Pin: Be Cu, Gold Plated.
 Insulator A: Teflon.
 Sleeve: Brass, Nickel Plated.
 Nut: Brass, Gold.
 Washer: Brass, Gold.
 Insulator B: Teflon.



REV. DATE & DRN
 TO 07/08/16 - NYW RELEASE
 11 31/08/21 - NYW
 ADD WORKING FREQUENCY

Scale: NTS	THIRD ANGLE	Unstated .X .XX .XXX ANGLES	Tolerances: N/A N/A N/A N/A
Drawn: NYW			
App'd: XXX	Title SMA BULKHEAD JACK		
Date: 31 AUG. '21	Revision: 1.1	Unit: mm	

www.gradconn.com

© THIS DRAWING IS CONFIDENTIAL AND MUST NOT BE COPIED OR DISCLOSED WITHOUT WRITTEN CONSENT

Type: RFCT-SMA021-F78
RFCT-SMA021-F78
Drawing Number:
Sheet 1 of 1
Drawing © E and O E