

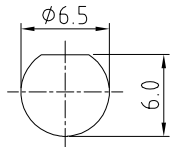
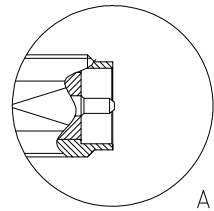
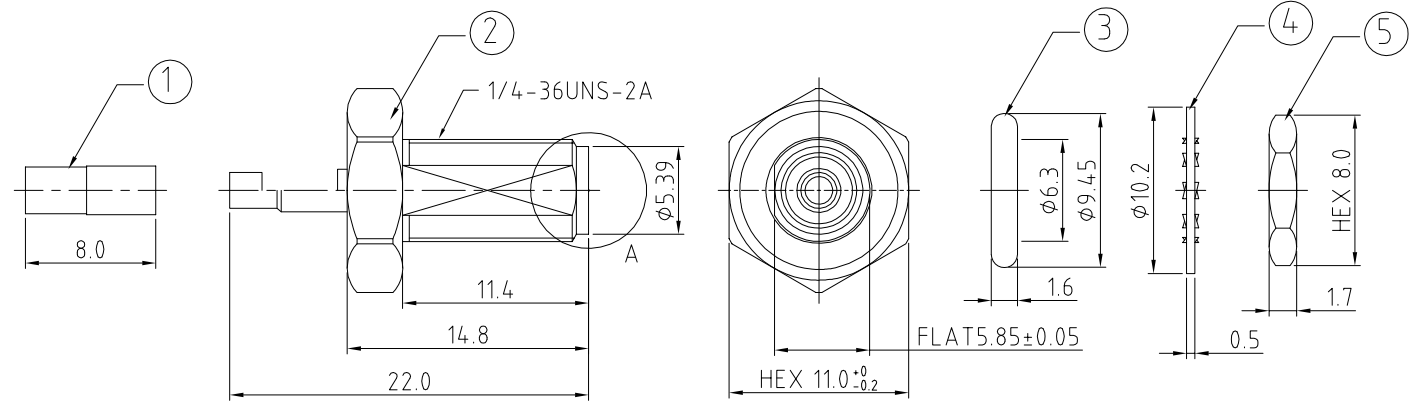
RFCT-SMA008-F78: RP SMA STRAIGHT BULKHEAD JACK WITH O-RING RATED TO IP67/68, SOLDER FOR $\phi 0.81$ - RG178 CABLE, 3GHz

Material and Plating:

1. Ferrule: Brass, Gold Plated.
2. Barrel: Brass, Gold Plated.
Gasket: Silicon, Color: Red.
- Pin: Brass, Gold Plated.
- Insulator: Teflon.
- Body: Brass, Gold Plated.
3. O-ring: Silicon, Color: Red.
4. Washer: Brass, Gold Plated.
5. Nut: Brass, Gold Plated.

Environmental:

- A. Tested to:
- i. IP6x - Dust tight - no particle ingress.
 - ii. IPx7 Waterproof for 30 minutes up to 1 meter underwater.
 - iii. IPx8 Waterproof for 48 hours at 1 meter underwater.
 - iv. IPx8 Waterproof for 12 hours at 5 meters underwater.
 - v. Pressure test - 1 bar for 10 seconds.



RECOMMENDED SMA MOUNTING HOLE
MAX. PANEL THICKNESS: 2.2MM
TOLERANCE: ± 0.1

REV. DATE & DRN	10 20/07/15 - NYW RELEASE
	11 29/10/15 - NYW
	ADD IP67/68 RATING INFO.
	12 17/03/17 - NYW
	DRAWING AMENDMENT.
	13 ADD MAX PANEL THICKNESS
	14 02/08/21 - NYW
	ADD WORKING FREQUENCY.

Scale: NTS	THIRD ANGLE	Unstated Tolerances:
Drawn: NYW		X N/A
App'd: XXX	Title SMA BULKHEAD JACK	.XX N/A
Date: 2 AUG. '21	Revision: 1.4	.XXX N/A
	Unit: mm	ANGLES N/A

IP67/68 Rated Cables

www.gradconn.com

Type: RFCT-SMA008-F78
RFCT-SMA008-F78
Drawing Number:
Sheet 1 of 1
Drawing © E and O E