

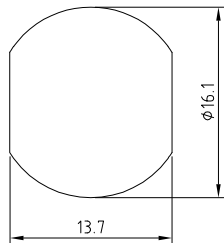
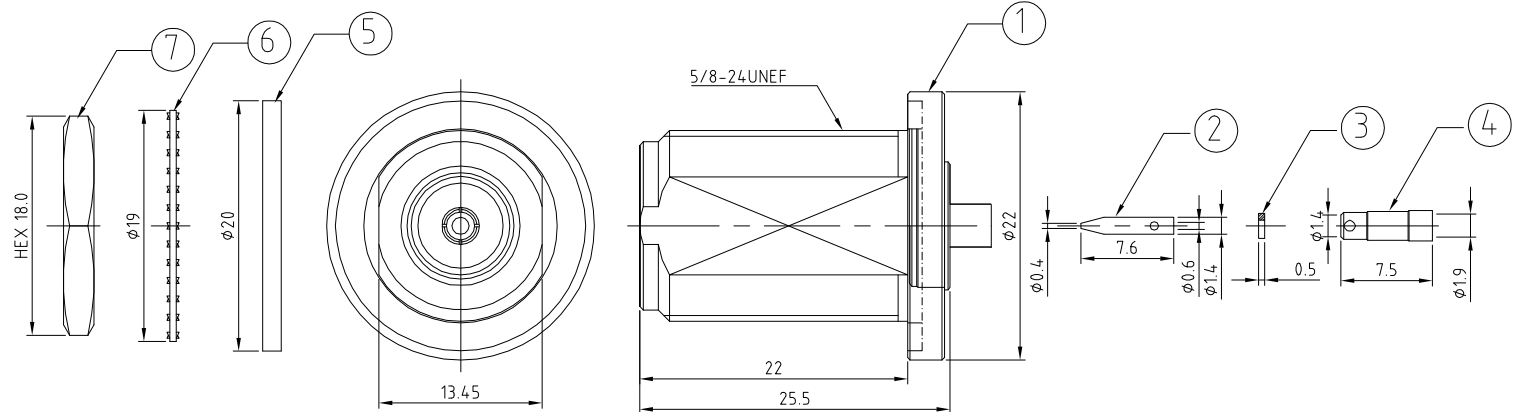
RFCT-N006-F78: N STRAIGHT BULKHEAD JACK WITH O-RING RATED TO IP67/68, FOR RG178 CABLE, 6GHz

Material and Plating:

- 1. Barrel: Brass, Nickel Plated.
Gasket A: Silicon, Color: Red.
Gasket B: Silicon, Color: Red.
Pin: Phosphor Bronze, Gold Plated.
Insulator: Teflon.
Body: Brass, Nickel Plated.
- 2. Contact: Brass, Gold Plated.
- 3. Insulator B: Teflon.
- 4. Ferrule: Brass, Gold Plated.
- 5. O-ring: Silicon, Color: Red.
- 6. Washer: Stainless Steel, Nickel Plated.
- 7. Nut: Brass, Nickel Plated.

Environmental:

- A. Rated to:
 - i. IP6x - Dust tight - no particle ingress.
 - ii. IPx7 Waterproof for 30 minutes up to 1 meter underwater.
 - iii. IPx8 Waterproof for 48 hours at 1 meter underwater.



RECOMMENDED MOUNTING HOLE
MAX. PANEL THICKNESS: 9MM
TOLERANCE: ± 0.07

REV. DATE & DRN
10 07/17/18 - NYW RELEASE

Scale: NTS	THIRD ANGLE	Unstated .X .XX .XXX ANGLES	Tolerances: N/A N/A N/A N/A
Drawn: NYW			
App'd: XXX	Title CABLE ASSEMBLY		
Date: 7 NOV. '18	Revision: 1.0	Unit: mm	



THIS DRAWING IS CONFIDENTIAL AND MUST NOT BE COPIED OR DISCLOSED WITHOUT WRITTEN CONSENT

Type: RFCT-N006-F78
RFCT-N006-F78
Drawing Number:
Sheet 1 of 1
Drawing © E and O E