

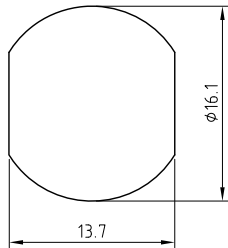
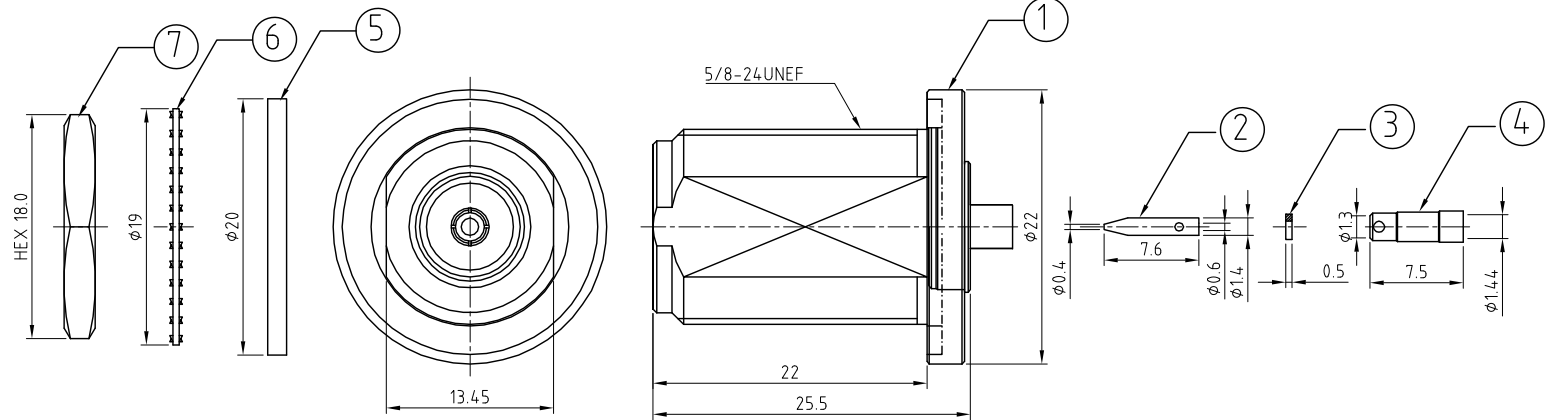
RFCT-N006-F37: N BULKHEAD JACK WITH O-RING, IP67/68, 1.37MM CABLE, 6GHz

Material and Plating:

- 1. Barrel: Brass, Nickel Plated.  
Gasket A: Silicon, Color: Red.  
Gasket B: Silicon, Color: Red.  
Pin: Phosphor Bronze, Gold Plated.  
Insulator: Teflon.  
Body: Brass, Nickel Plated.
- 2. Contact: Brass, Gold Plated.
- 3. Insulator B: Teflon.
- 4. Ferrule: Brass, Gold Plated.
- 5. O-ring: Silicon, Color: Red.
- 6. Washer: Stainless Steel, Nickel Plated.
- 7. Nut: Brass, Nickel Plated.

Environmental:

- A. Rated to:
  - i. IP6x - Dust tight - no particle ingress.
  - ii. IPx7 Waterproof for 30 minutes up to 1 meter underwater.
  - iii. IPx8 Waterproof for 48 hours at 1 meter underwater.



RECOMMENDED MOUNTING HOLE  
MAX. PANEL THICKNESS: 9MM  
TOLERANCE: ±0.07

REV. DATE & DRN  
1.0 07/05/24 - CC RELEASE

Scale: NTS	THIRD ANGLE	Unstated .X .XX .XXX ANGLES	Tolerances: N/A N/A N/A N/A
Drawn: CC			
App'd: XXX	Title CABLE ASSEMBLY		
Date: 7 MAY. '24	Revision: 1.0	Unit: mm	

IP Rated RF Products

www.gradconn.com

Type: RFCT-N006-F37
RFCT-N006-F37
Drawing Number:
Sheet 1 of 1
Drawing © E and O E