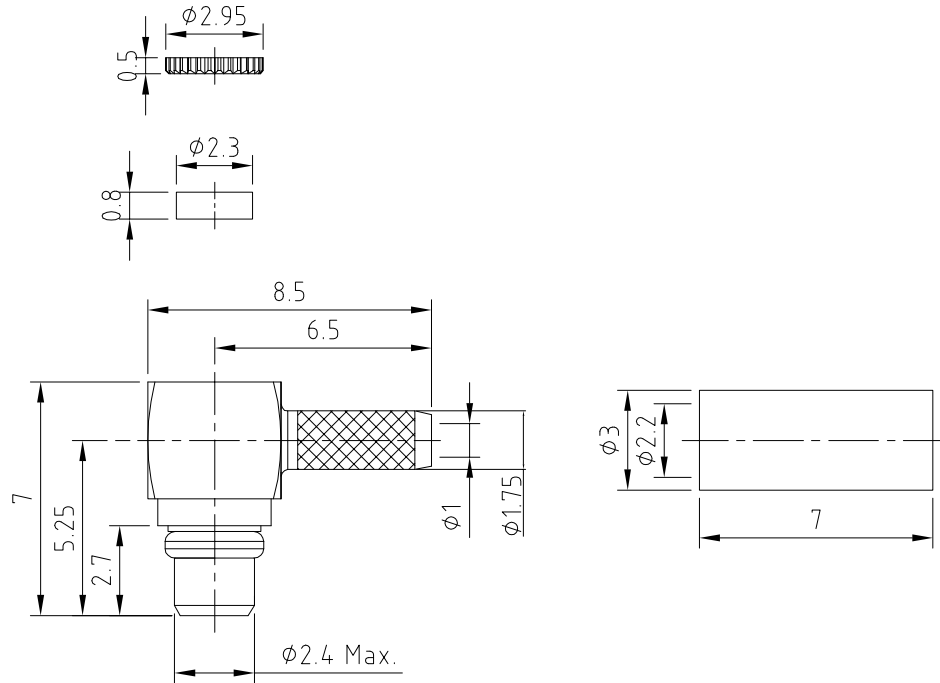


RFCT-MMCX003-M78: MMCX RIGHT ANGLE PLUG CRIMP FOR  $\phi 1.37\text{MM}$ , RG178 CABLE

Material and Plating:  
 Cover: Brass, Gold Plated.  
 Insulator Cover: POM.  
 Body: Brass, Gold Plated.  
 Insulator: Teflon.  
 Center Contact: Brass, Gold Plated.  
 C-Ring: Beryllium Copper, Gold Plated.  
 Ferrule: Brass, Gold Plated.



REV. DATE & DRN  
 TO 30/06/15 - NYW RELEASE

Scale: NTS	THIRD ANGLE	Unstated .X .XX .XXX ANGLES	Tolerances: $\pm 0.1$ $\pm 0.1$ $\pm 0.1$ $\pm 3^\circ$
Drawn: NYW			
App'd: XXX	Title MMCX PLUG		
Date: 30 JUN. '15	Revision: 1.0	Unit: mm	



THIS DRAWING IS CONFIDENTIAL AND MUST NOT BE COPIED OR DISCLOSED WITHOUT WRITTEN CONSENT

Type: RFCT-MMCX003-M78
RFCT-MMCX-M78
Drawing Number:
Sheet 1 of 1
Drawing © E and O E