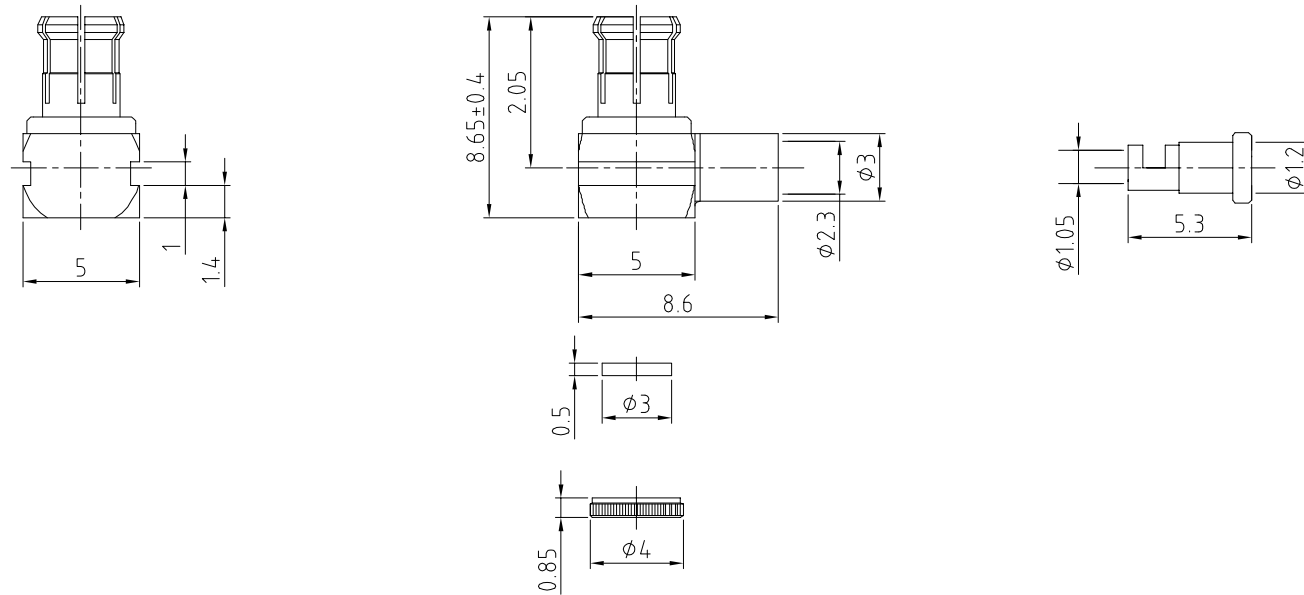




RFCT-MCX008-M13 : MCX Right Angle Plug, Crimp for  $\phi 1.13$  /  $\phi 1.13LL$  Cable

Material and Plating:

- Insulator A: Teflon
- Insulator B: Teflon
- Pin: Brass, Gold
- Cap: Brass, Gold
- Body A: Brass, Gold
- Body B: Be Cu, Gold
- Sleeve: Brass, Gold



REV. DATE & DRN  
10/19/08/7/14 - NYW RELEASE

Scale: NTS	THIRD ANGLE	Unstated X .XX .XXX ANGLES	Tolerances: $\pm 0.2$ $\pm 0.2$ $\pm 0.2$ $\pm 5$	Material SEE NOTE
Drawn: NYW				
App'd: XXX	Title: MCX PLUG	NOT TO SCALE		
Date: 19 AUG. '14	Revision: 1.0	Unit: mm		

www.gradconn.com

© THIS DRAWING IS CONFIDENTIAL AND MUST NOT BE COPIED OR DISCLOSED WITHOUT WRITTEN CONSENT

Type: RFCT-MCX008-M13
RFCT-MCX008-M13
Drawing Number:
Sheet 1 of 1
Drawing © E and O E