

CABLE 410 RF: SMA RIGHT ANGLE PLUG + SMA RIGHT ANGLE BULKHEAD JACK WITH O-RING RATED TO IP67/68 + RG178 CABLE, 6GHz

SPECIFICATIONS :

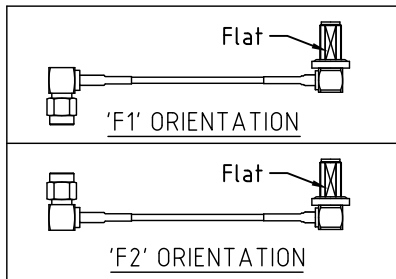
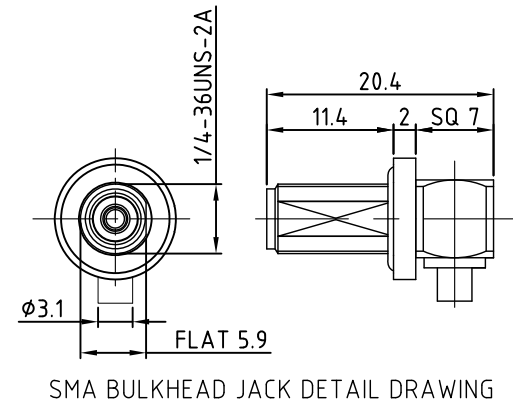
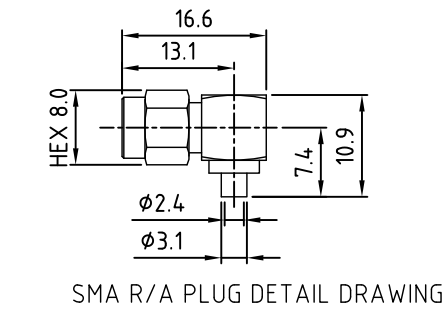
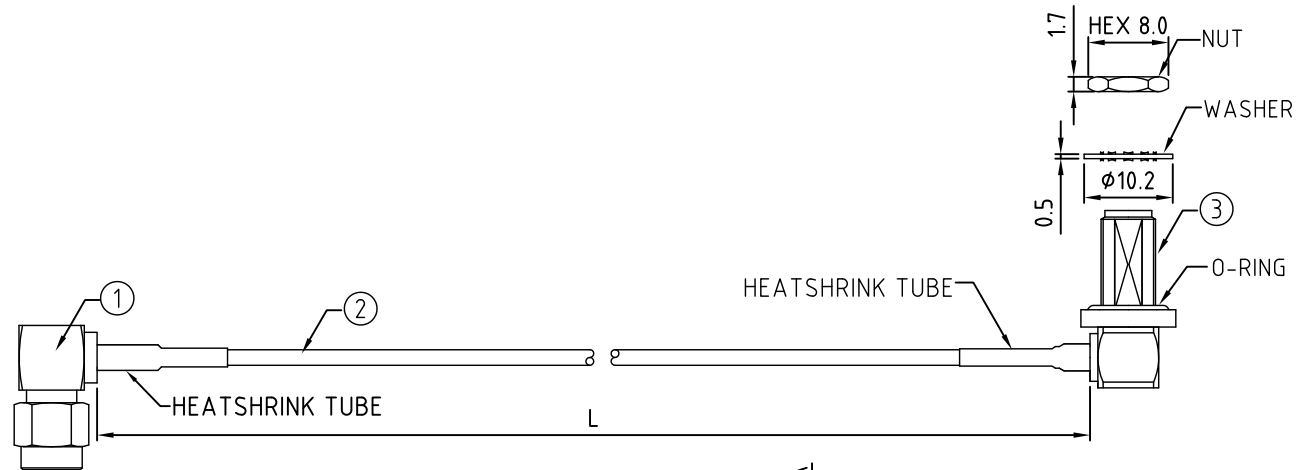
1. SMA STRAIGHT PLUG, P/N: RFCT-SMA025-M78.
2. RG178 COAXIAL CABLE, COLOR: BROWN.
3. SMA RIGHT ANGLE BULKHEAD JACK WITH O-RING RATED TO IP67/68, GOLD PLATED, P/N: RFCT-SMA073-F78.

ENVIRONMENTAL:

- A. BULKHEAD MOUNTED CONNECTOR (RFCT-SMA073-F78) RATED TO THE FOLLOWING SPECIFICATION:
- i. IP6X - DUST TIGHT - NO PARTICLE INGRESS.
  - ii. IPX7 WATERPROOF FOR 30 MINUTES UP TO 1 METER UNDERWATER.
  - iii. IPX8 WATERPROOF FOR 48 HOURS AT 1 METER UNDERWATER.

NOTES:

1. WORKING FREQUENCY RANGE: DC-6GHz.
2. OPERATING TEMPERATURE: -55°C TO +155°C
3. IMPEDANCE: 50 OHM
4. VSWR: FOR RG178 CABLE: DC~5GHz: 1.5 MAX., 5~6GHz: 1.7 MAX.



HOW TO ORDER

CABLE 410 RF - XXXX - XX - X - 1

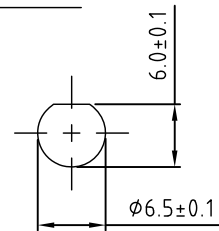
"L" LENGTH IN MM  
eg: 100MM = 0100  
(MIN. = 100, MAX. = 999  
STANDARD = 200)  
Tolerance: ±5mm.

ORIENTATION OPTIONS:

BLANK = DOES NOT HAVE FIXED ORIENTATION  
F1 = RIGHT ANGLE SMA CONNECTION DOWN  
F2 = RIGHT ANGLE SMA CONNECTION UP  
(SEE ORIENTATION DIAGRAMS FOR MORE INFORMATION)

CABLE SIZE:  
1 = RG178 CABLE, COLOR: BROWN.

WASHER AND NUT OPTIONS:  
BLANK = SEPERATELY PACKED (STANDARD)  
A = ASSEMBLED WITH CONNECTOR



RECOMMENDED SMA MOUNTING HOLE

REV. DATE & DRN TO 11/06/20 - CC RELEASE

|                   |                      |   |   |
|-------------------|----------------------|---|---|
| Scale: NTS        | THIRD ANGLE          | Unstated<br>.X<br>.XX<br>.XXX<br>ANGLES | Tolerances:<br>N/A<br>N/A<br>N/A<br>N/A |
| Drawn: CC         |                      |   |   |
| App'd: XXX        | Title CABLE ASSEMBLY |   |   |
| Date: 11 JUNE '20 | Revision: 1.0        | Unit: mm                                |   |



IP67/68 Rated Cables



www.gradconn.com

THIS DRAWING IS CONFIDENTIAL AND MUST NOT BE COPIED OR DISCLOSED WITHOUT WRITTEN CONSENT

|                    |           |
|--------------------|-----------|
| Type: Cable 410 RF |           |
| CABLE 410 RF       |           |
| Drawing Number:    |           |
| Sheet 1            | of 1      |
| Drawing            | E and O E |