

CABLE 402 RF: I-PEX MHF I LK PLUG TO 1.13 CABLE TO RP SMA S/T BULKHEAD JACK WITH O-RING (IP67/68), 6GHz

SPECIFICATIONS:

1. I-PEX MHF I LK PLUG, P/N: ϕ 1.13MM CABLE: 20670-001R-13.
LOCK: 3376-000
2. 1.13MM COAXIAL CABLE, COLOR: GRAY
3. RP SMA STRAIGHT BULKHEAD JACK WITH O-RING RATED TO IP67/68, P/N: RFCT-SMA071-F78.

ENVIRONMENTAL:

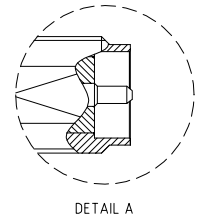
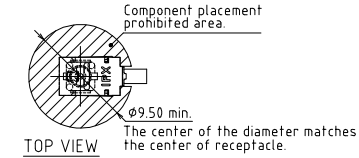
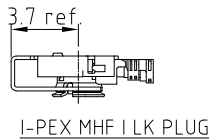
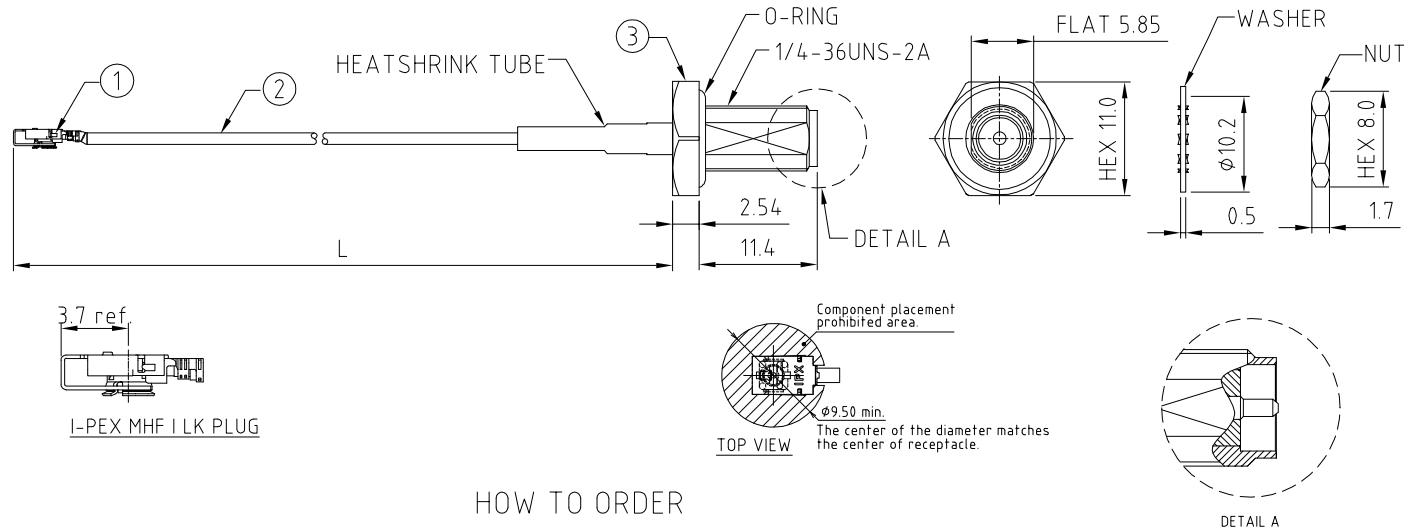
- A. BULKHEAD MOUNTED CONNECTOR (RFCT-SMA071-F78) RATED TO THE FOLLOWING SPECIFICATION:
- i. IP6X - DUST TIGHT - NO PARTICLE INGRESS.
 - ii. IPX7 WATERPROOF FOR 30 MINUTES UP TO 1 METER UNDERWATER.
 - iii. IPX8 WATERPROOF FOR 48 HOURS AT 1 METER UNDERWATER.

NOTES:

1. THE ORIENTATION OF CONNECTORS ON DRAWING IS FOR REFERENCE ONLY, IF THE ORDER IS LEFT BLANK THE CONNECTOR WILL NOT HAVE FIXED ORIENTATION.
2. FIXED ORIENTATION IS SUGGESTED FOR CABLE LENGTH 50MM TO 100MM. PLEASE SPECIFY THE FIXED ORIENTATIONS FROM THE ORDER CODE (F1, F2, ETC)
3. CONTACT GRADCONN IF THE ORIENTATION YOU REQUIRE IS NOT SHOWN.
4. WORKING FREQUENCY RANGE: DC-6GHz.
5. OPERATING TEMPERATURE: -40°C~+85°C.
6. IMPEDANCE: 50 Ohm.

USAGE PRECAUTIONS: CABLES USING 'MICRO' COAX ARE DELICATE:

- (i) HANDLE WITH CARE.
- (ii) DO NOT TWIST; APPLY EXCESSIVE FORCES OR SHARP BENDS TO THE CABLE. DO NOT FORCEFULLY DEFORM WIRES.
- (iii) CONSULT CONNECTOR MANUFACTURER'S DATASHEETS FOR DETAILED NOTES ON HANDLING INSTRUCTIONS.



HOW TO ORDER

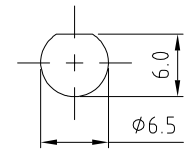
CABLE 402 RF - X X X - X X - X - 1

"L" LENGTH IN MM:
eg: 100MM = 100
(MIN. 050-MAX.400
STANDARD = 100, 150, 200)
Tolerance: 50-200mm: \pm 5mm.
201-400mm: \pm 7mm.

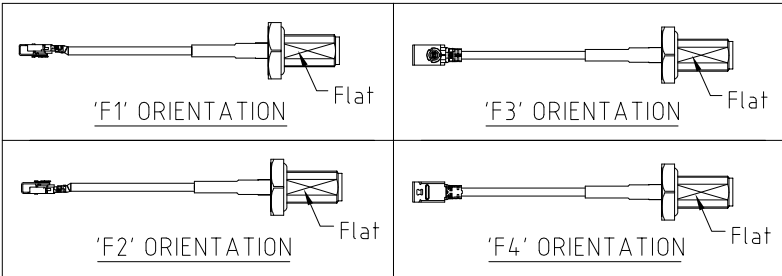
CABLE SIZE:
1 = ϕ 1.13MM CABLE, COLOR: GRAY

WASHER AND NUT OPTIONS:
BLANK = SEPARATELY PACKED (STANDARD)
A = ASSEMBLED WITH CONNECTOR

ORIENTATION OPTIONS:
BLANK = DOES NOT HAVE A FIXED ORIENTATION
F1 = MHF CONNECTION DOWN (L=50-200MM)
F2 = MHF CONNECTION UP (L=50-200MM)
F3 = MHF CONNECTION AND D FLAT SAME ORIENTATION (L=50-200MM)
F4 = MHF CONNECTION AND D FLAT OPPOSITE ORIENTATION (L=50-200MM)
(SEE NOTES 1, 2, 3 AND DIAGRAMS FOR MORE INFORMATION)



RECOMMENDED SMA MOUNTING HOLE



REV. DATE & DRN
10 20/05/20 - CC RELEASE
11 30/08/20 - ANY MOUNTING AREA
12 06/11/20 - ANY MOUNTING AREA
13 06/11/20 - ANY MOUNTING AREA
14 06/11/20 - ANY MOUNTING AREA
15 06/11/20 - ANY MOUNTING AREA
16 06/11/20 - ANY MOUNTING AREA
17 06/11/20 - ANY MOUNTING AREA
18 06/11/20 - ANY MOUNTING AREA
19 06/11/20 - ANY MOUNTING AREA
20 06/11/20 - ANY MOUNTING AREA

Scale: NTS	THIRD ANGLE	Unstated: X	Tolerances: N/A
Drawn: CC		XX	N/A
App'd: XXX	Title: CABLE ASSEMBLY	XXX	N/A
Date: 4 DEC '20	Revision: 1.2	ANGLES	N/A
	Unit: mm		



IP67/68 Rated Cables

www.gradconn.com

THIS DRAWING IS CONFIDENTIAL AND MUST NOT BE COPIED OR DISCLOSED WITHOUT WRITTEN CONSENT

Type: Cable 402 RF
CABLE 402 RF
Drawing Number:
Sheet 1 of 1
Drawing © E and O E