

CABLE 365 RF: MMCX R/A PLUG + FRONT MOUNT TNC STRAIGHT BULKHEAD JACK WITH O-RING RATED TO IP67/68 + RG178 CABLE

SPECIFICATIONS:

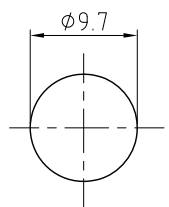
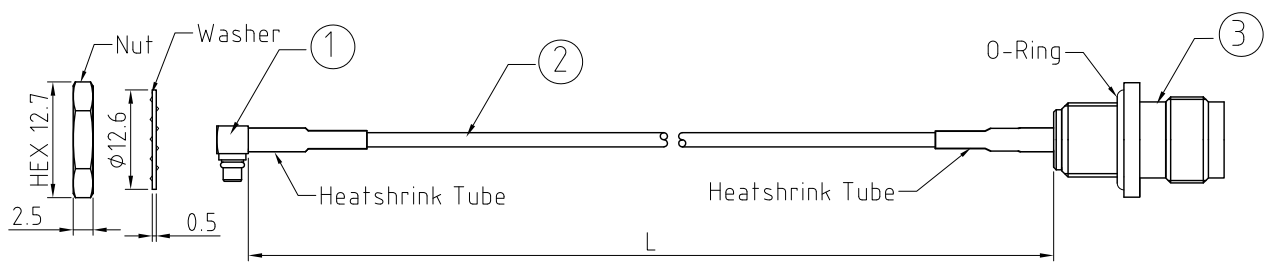
1. MMCX RIGHT ANGLE PLUG, P/N: RFCT-MMCX003-M78.
2. RG178 COAXIAL CABLE, COLOR: BROWN.
3. FRONT MOUNT TNC STRAIGHT BULKHEAD JACK WITH O-RING RATED TO IP67/68, P/N: RFCT-TNC009-F78.

ENVIRONMENTAL:

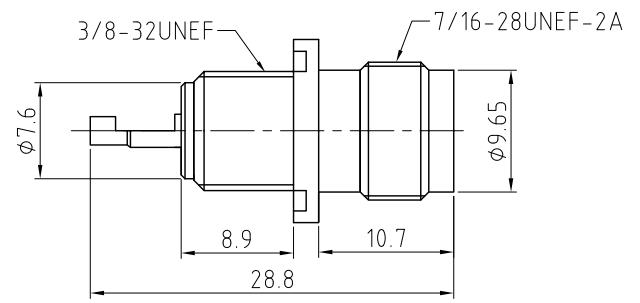
- A. BULKHEAD MOUNTED CONNECTOR (RFCT-TNC009-F78) RATED TO THE FOLLOWING SPECIFICATION:
- i. IP6X - DUST TIGHT - NO PARTICLE INGRESS.
  - ii. IPX7 WATERPROOF FOR 30 MINUTES UP TO 1 METER UNDERWATER.
  - iii. IPX8 WATERPROOF FOR 48 HOURS AT 1 METER UNDERWATER.

NOTES:

1. WORKING FREQUENCY RANGE: DC-3GHz.
2. OPERATING TEMPERATURE: -40°C TO +125°C.
3. IMPEDANCE: 50 OHM.
4. IT IS INTENDED THAT MOUNTING OF THIS CONNECTOR IS ACHIEVED USING THE NUT AND WASHER PROVIDED. PLEASE CONTACT GRADCONN FOR ADVISE IF PLANNING TO USE A DIFFERENT METHOD OF MOUNTING.



RECOMMENDED MOUNTING HOLE TOLERANCE: ±0.1



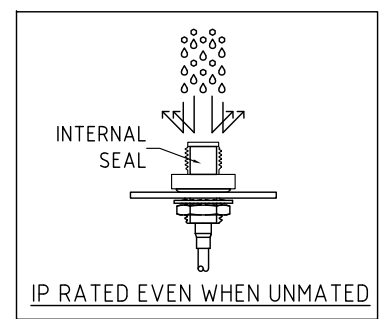
TNC DETAIL DRAWING

HOW TO ORDER  
CABLE 365 RF - X X X X - X - 1

"L" LENGTH IN MM  
eg: 100MM = 0100  
(MIN. = 0050, MAX. = 2000,  
STANDARD = 0100, 0150, 0200)  
Tolerance: 50mm: ±2mm.  
50-200mm: ±5mm.  
201-500mm: ±7mm.  
>500mm: ±10mm.

CABLE SIZE OPTIONS:  
1 = RG178 CABLE, COLOR: BROWN

WASHER AND NUT OPTIONS:  
BLANK = SEPARATELY PACKED (STANDARD)  
A = ASSEMBLED WITH CONNECTOR



REV. DATE & DRN
10 22/11/19 - NYW RELEASE
11 16/01/20 - NYW
ADD NOTE 4.
12 28/07/20 - NYW
AMEND OPERATING TEMP.
13 24/03/24 - CC
ADD IP RATING VIEW

Scale: NTS	THIRD ANGLE	Unstated .X .XX .XXX ANGLES	Tolerances: N/A N/A N/A N/A
Drawn: CC			
App'd: XXX	Title CABLE ASSEMBLY		
Date: 24 MAR. '24	Revision: 1.3	Unit: mm	



IP Rated RF Products



www.gradconn.com

THIS DRAWING IS CONFIDENTIAL AND MUST NOT BE COPIED OR DISCLOSED WITHOUT WRITTEN CONSENT

Type: Cable 365 RF
CABLE 365 RF
Drawing Number:
Sheet 1 of 1
Drawing © E and O E