

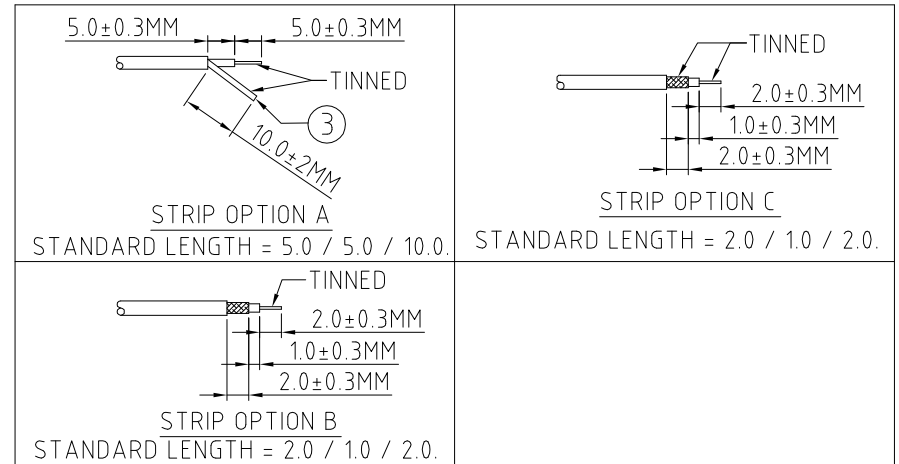
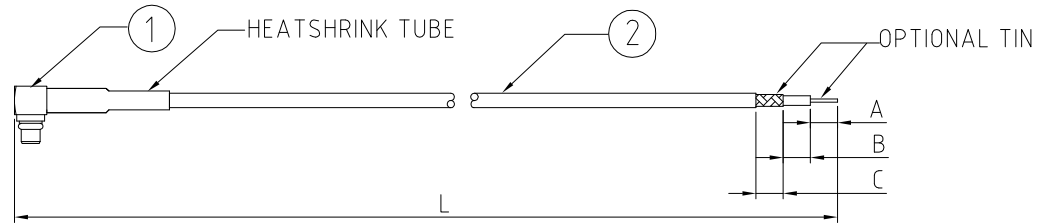
CABLE 284 RF: RF CABLE ASSEMBLY, MMCX RIGHT ANGLE PLUG + RG178 CABLE + STRIP / TIN

SPECIFICATIONS :

1. MMCX RIGHT ANGLE PLUG (RFCT-MMCX003-M78)
2. RG178 COAXIAL CABLE, COLOR: BROWN
3. TWISTED BRAID OR FLEXIBLE COPPER WIRE, LENGTH = A (CENTRE CONDUCTOR) + B (INSULATOR). MINIMUM = 6.0MM. LENGTH 6.0MM - 9.90MM: TWISTED BRAID. LENGTH +10.0MM: FLEXIBLE COPPER WIRE.

NOTES:

1. STRIP DIMENSION A / B / C STANDS FOR
A = CENTRE CONDUCTOR
B = INSULATOR
C = BRAID.
2. INSERTION LOSS TEST REPORT IS NOT AVAILABLE.
3. THIS IS OUR STANDARD OFFERING, SPECIAL DESIGNS ARE AVAILABLE, INCLUDING CUSTOM TOLERANCES AND SPECIAL BRAID TINNING DESIGNS. PLEASE CONTACT GRADCONN FOR MORE INFORMATION.
4. CENTRE CONDUCTOR AND TWISTED BRAID OF COAX CABLE IS TINNED. WHEN BRAID LENGTH EXCEEDS 10MM LENGTH OF TINNED COPPER WIRE IS SOLDERED TO THE BRAID/SHIELD OF THE COAX CABLE WHICH ALLOWS SOLDERING TO PCB.



HOW TO ORDER

CAB284RF - XXXX - XX / XX / XX - X

"L" LENGTH IN MM
eg: 100MM = 0100
(MIN. 0050)

Tolerance: 50mm : ±2mm.
51-200mm: ±5mm.
201-500mm: ±7mm.
>500mm: ±10mm.

A/B/C STRIP DIMENSION IN MM
FOR STANDARD LENGTH PLEASE
REFER TO DRAWINGS.
(SPECIALS AVAILABLE UPON
REQUEST.)

STRIP AND TIN OPTIONS:
A = CENTER CONDUCTOR & TWISTED BRAID/SOLDERED COPPER
WIRE TINNED (SEE NOTE 4 FOR SOLDER TO PCB APPLICATION)
B = STRIPPED, END A TINNED
C = STRIPPED, END A & C TINNED

REV. DATE & DRN
10 30/08/17 - NYW RELEASE

Scale: NTS	THIRD ANGLE	Unstated X .XX .XXX ANGLES	Tolerances: ±0.2 ±0.1 ±0.05 ±5	Material SEE NOTE
Drawn: NYW				
App'd: XXX	Title: CABLE ASSEMBLY	NOT TO SCALE		
Date: 30 AUG. '17	Revision: 1.0	Unit: mm		

www.gradconn.com

THIS DRAWING IS CONFIDENTIAL AND MUST NOT BE COPIED OR DISCLOSED WITHOUT WRITTEN CONSENT

Type: Cable 284 RF
CABLE 284 RF
Drawing Number:
Sheet 1 of 1
Drawing © E and O E