



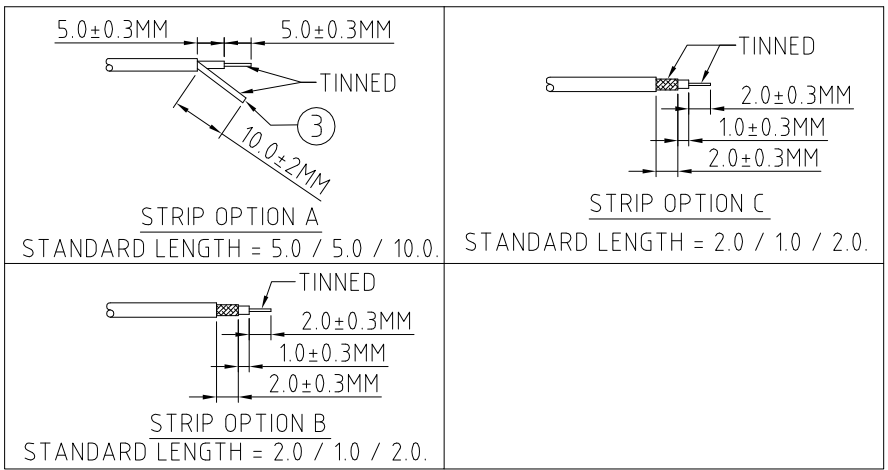
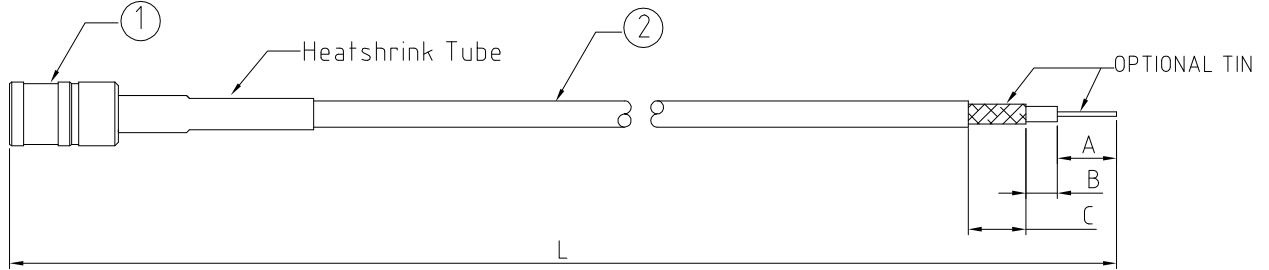
CABLE 108 RF: RF CABLE ASSEMBLY, SMB STRAIGHT PLUG + RG174 CABLE + STRIP/TIN

SPECIFICATIONS :

1. SMB STRAIGHT PLUG (C03AA3F174003)
2. RG174 COAXIAL CABLE, COLOR: BLACK
3. TWISTED BRAID OR FLEXIBLE COPPER WIRE, LENGTH = A (CENTRE CONDUCTOR) + B (INSULATOR). MINIMUM = 6.0MM.  
LENGTH 6.0MM - 9.9MM: TWISTED BRAID.  
LENGTH +10MM: FLEXIBLE COPPER WIRE.

NOTES:

1. STRIP DIMENSION A / B / C STANDS FOR  
A = CENTRE CONDUCTOR  
B = INSULATOR  
C = BRAID.
2. INSERTION LOSS TEST REPORT IS NOT AVAILABLE.
3. THIS IS OUR STANDARD OFFERING, SPECIAL DESIGNS ARE AVAILABLE, INCLUDING CUSTOM TOLERANCES AND SPECIAL BRAID TINNING DESIGNS. PLEASE CONTACT GRADCONN FOR MORE INFORMATION.
4. CENTRE CONDUCTOR AND TWISTED BRAID OF COAX CABLE IS TINNED. WHEN BRAID LENGTH EXCEEDS 10MM LENGTH OF TINNED COPPER WIRE IS SOLDERED TO THE BRAID/SHIELD OF THE COAX CABLE WHICH ALLOWS SOLDERING TO PCB.



HOW TO ORDER

CAB108RF - XXXXX - X.X / X.X / X.X - X

"L" LENGTH IN MM  
eg: 100MM = 0100  
(MIN. 025)  
STANDARD = 100, 150, 200)  
Tolerance: <50mm : ±2mm.  
51-200mm: ±5mm.  
201-500mm: ±7mm.  
>500mm: ±10mm.

A/B/C STRIP DIMENSION IN MM  
FOR STANDARD LENGTH PLEASE  
REFER TO DRAWINGS.  
(SPECIALS AVAILABLE UPON  
REQUEST.)

STRIP AND TIN OPTIONS:  
A = CENTER CONDUCTOR & TWISTED BRAID/SOLDERED COPPER  
WIRE TINNED (SEE NOTE 4 FOR SOLDER TO PCB APPLICATION)  
B = STRIPPED, END A TINNED  
C = STRIPPED, END A & C TINNED

REV. DATE & DRN  
10 10/17/10 - NYW RELEASE  
11 21/05/15 - NYW  
REMOVE STRIP OPTION "0".  
AMEND STRIP OPTION "A".

Scale: NTS	THIRD ANGLE	Unstated X .XX .XXX ANGLES	Tolerances: ±0.2 ±0.1 ±0.05 ±5	Material SEE NOTE
Drawn: NYW				
App'd: XXX	Title: CABLE ASSEMBLY			NOT TO SCALE
Date: 21 MAY '15	Revision: 1.1			Unit: mm

© THIS DRAWING IS CONFIDENTIAL AND MUST NOT BE COPIED OR DISCLOSED WITHOUT WRITTEN CONSENT

Type: Cable 108 RF
CABLE 108 RF
Drawing Number:
Sheet 1 of 1
Drawing © E and O E