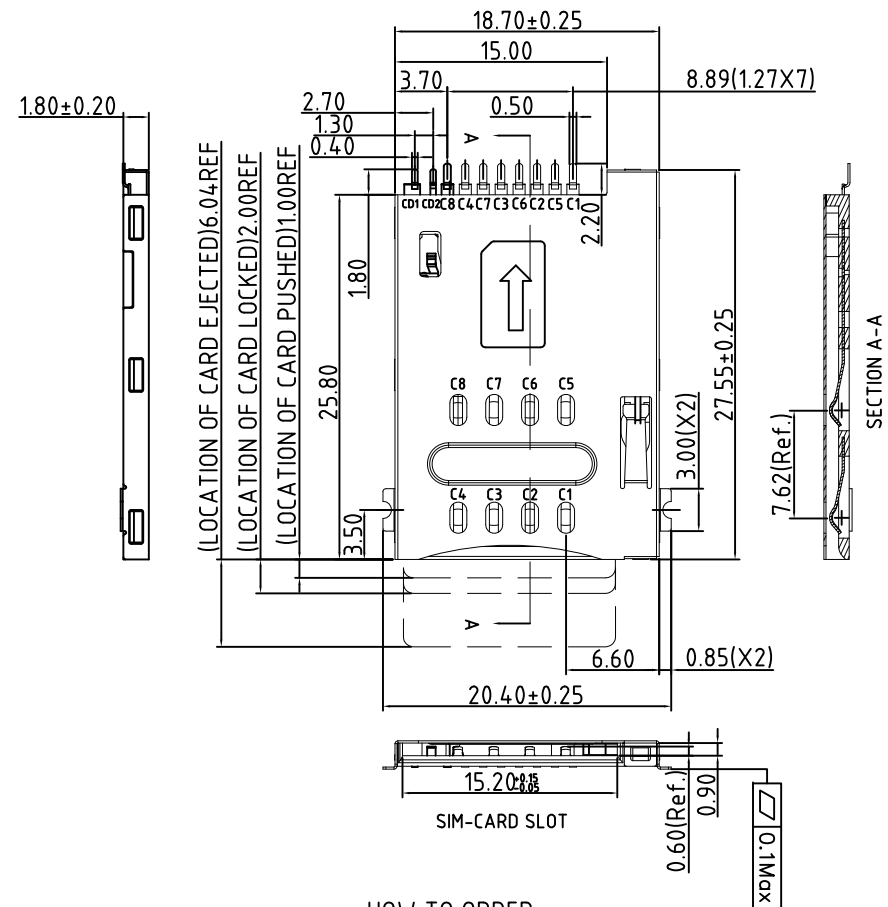
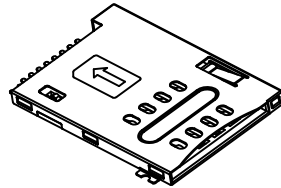


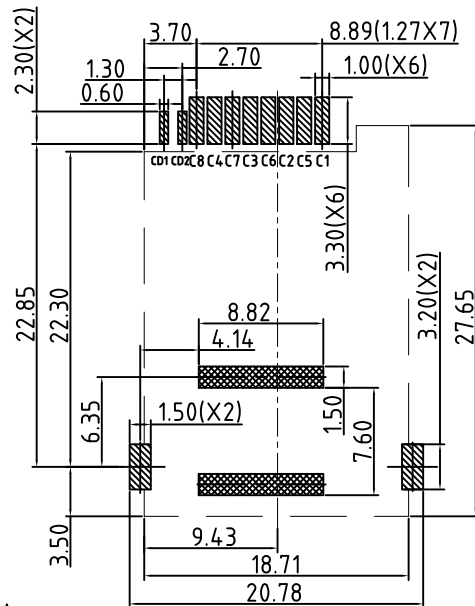
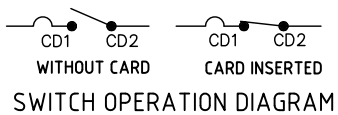
CH03-DE0X0 :-SIM CARD HOLDER 6&8 PIN PUSH PUSH TYPE WITH SWITCH WITHOUT POST

SPECIFICATIONS :

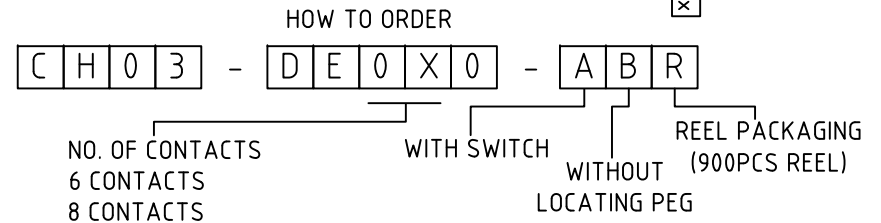
CURRENT RATING	1 AMP MAX., 10μ" A MIN.
VOLTAGE RATING	50V MAX.
INSULATOR RESISTANCE	>1000 MΩ MIN./500V DC
DIELECTRIC WITHSTANDING	500 V AC RMS MIN.
CONTACT RESISTANCE	50mΩ TYPICAL, 100mΩ MAX.
OPERATING TEMPERATURE	-40°C TO +85°C
CONTACT & SWITCH MATERIAL	PHOSPHOR BRONZE
CONTACT & SWITCH PLATING	GOLD PLATED ON CONTACT AREA OVER NICKEL
INSULATOR MATERIAL	THERMOPLASTIC, UL94V-0, BLACK
SHELL MATERIAL	SUS
SHELL SMT PLATING	GOLD FLASH ON CONTACT AREA OVER NICKEL
SOLDERABILITY	IR REFLOW: 260°C FOR 10 SEC MAX. MANUAL SOLDER: 370°C FOR 3 SEC MAX.
DURABILITY	5,000 CYCLES



ELECTRIC FUNCTION	DETECT SWITCH
WITHOUT CARD	OPEN
CARD INSERTED	CLOSED



▨ PAD AREA  
 □ KEEP AREA  
 ▩ KEEP OUT AREA



Scale: NTS	THIRD ANGLE	Unstated Tolerances: .X ±0.35 .X ±0.25 .XX ±0.15 .XXX ±0.10	Material SEE NOTE
Drawn: NYW			
App'd: XXX	Title: SIM CARD HOLDER	NOT TO SCALE	
Date: 16 MAR. '17	Revision: 1.0	Unit: mm	

www.gradconn.com

THIS DRAWING IS CONFIDENTIAL AND MUST NOT BE COPIED OR DISCLOSED WITHOUT WRITTEN CONSENT

Type: CH03-DE
CH03-DE0X0
Drawing Number:
Sheet 1 of 1
Drawing © E and OE