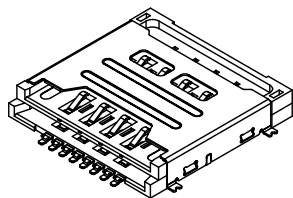


CH03-AN - DUAL SIM CARD HOLDER, SLIDE IN TYPE, WITHOUT SWITCH, 8 PINS

FEATURES

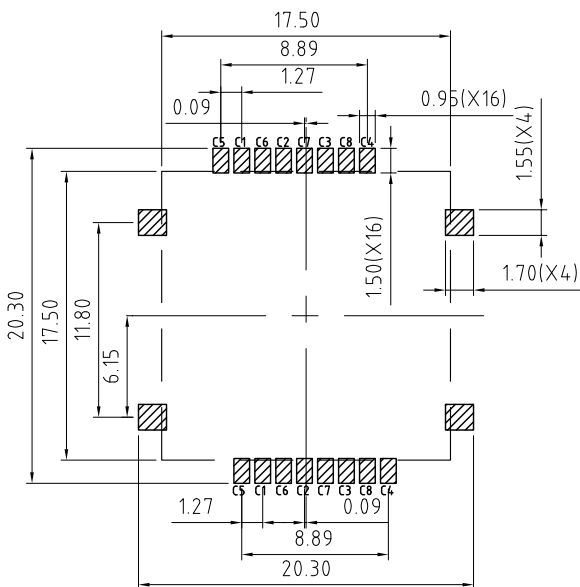
- GENERAL CHARACTERISTICS**
 DIMENSIONS: 17.50L x 17.50W x 3.00H mm
 WEIGHT: APPROX. 0.8±0.2g
 CONTACT PRINCIPLE: FRICTION TECHNOLOGY
 MOUNTING SYSTEM: SMT TYPE WITHOUT POST
 DURABILITY: 5,000 CYCLES MIN.
- MECHANICAL CHARACTERISTICS**
 INSULATION MATERIAL: THERMOPLASTIC, UL 94V-0
 CONTACT MATERIAL: COPPER ALLOY
 CONTACT AREA PLATING : GOLD FLASH OVER NICKEL
 METAL SHELL MATERIAL: STAINLESS STEEL
 SOLDER TAB PLATING: GOLD FLASH OVER NICKEL
- ELECTRICAL CHARACTERISTICS**
 CONTACT RESISTANCE: 50m OHMS TYP. 100m OHMS MAX.
 INSULATION RESISTANCE: >1000M OHMS / 500V DC
 RATED CURRENT: 1A MAX, 10µA MIN.
 RATED VOLTAGE: 50V MAX.
 WITHSTANDING DIELECTRIC VOLTAGE: 500V AC R.M.S. FOR 1 MINUTE



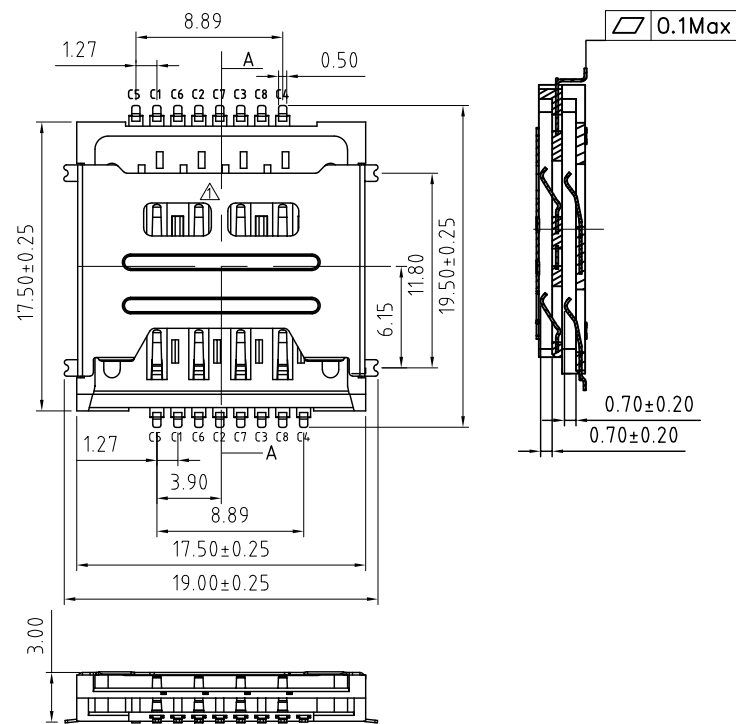
- SOLDERABILITY**
 WAVE: NOT APPLICABLE
 IR REFLOW: 250°C, 5 SEC. MAX.
 MANUAL SOLDERING: 360°C, 3 SEC. MAX.

- ENVIRONMENTAL CHARACTERISTICS**
 OPERATING TEMPERATURE: -40°C ~ +85°C
 OPERATING HUMIDITY: 10% ~ 95% RH
 STORAGE TEMPERATURE: -40°C ~ +85°C
 STORAGE HUMIDITY: 10% ~ 95% RH
 THERMAL SHOCK: -40°C ~ +85°C, 5 CYCLES
 DAMP HEAT: 40°C, 90% RH, 240HR
 SALT-MIST: 35°C, 5% NaCl, 24HR

- NOTES:
- ACCEPTABLE SIM CARD SIZE SHOULD MEET GSM 11.11 SPECIFICATION REQUIREMENT.
 - PACKAGING: 700PCS/REEL.



COMPONENT SIDE (TOLERANCE: ±0.05)
RECOMMENDED PCB LAYOUT



HOW TO ORDER

CH03 - AN080 - 0BR

REV.	DATE & DRN
10	12/07/12 - NYW RELEASE
11	15/07/15 - NYW SHELL DESIGN
12	19/04/17 - NYW SHELL DESIGN
13	24/05/21 - NYW PRODUCT CHANGE
14	13/09/24 - CC CHANGE SHELL DESIGN
15	17/10/24 - CC ADD GCT ALTERNATIVE P/N
16	17/10/24 - CC REMOVE GCT ALTERNATIVE P/N

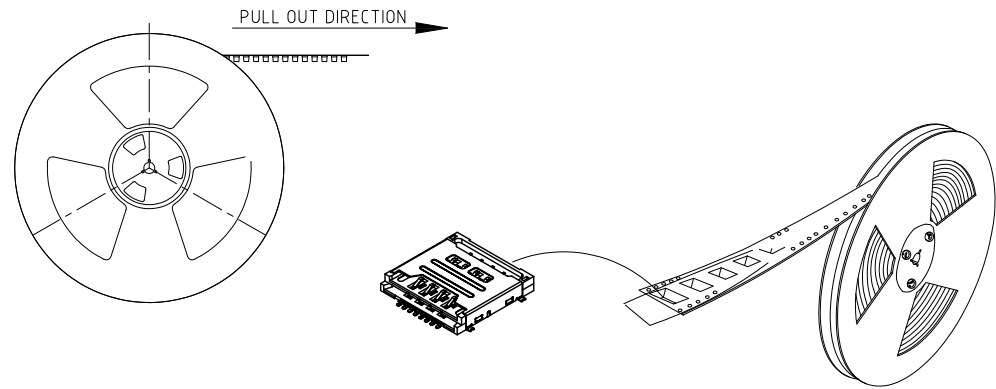
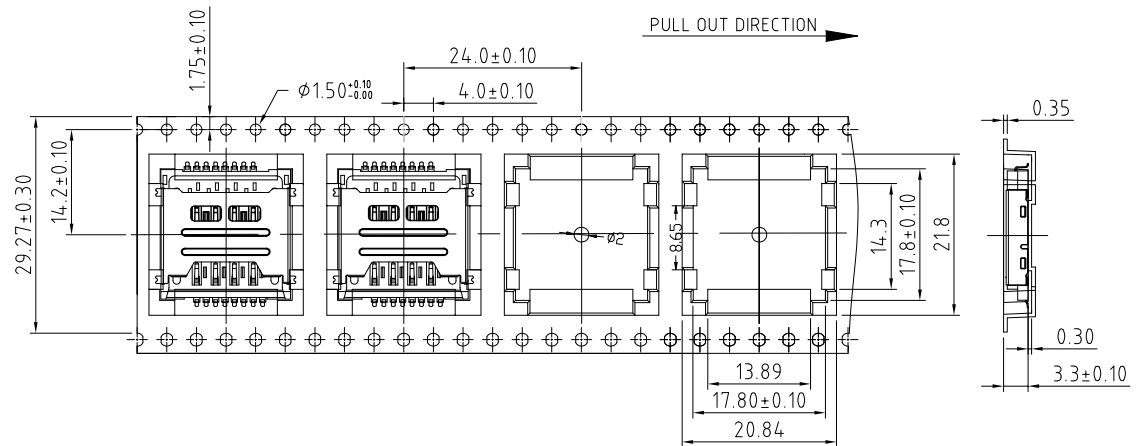
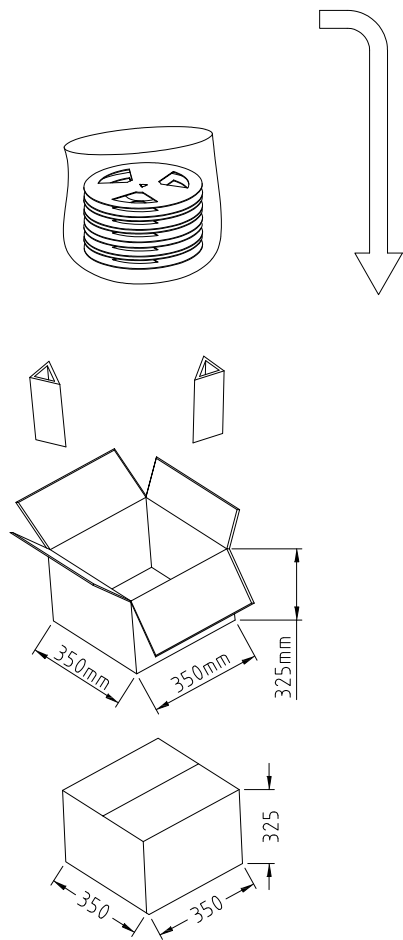
Scale:	3:1	THIRD ANGLE	Unstated Tolerances: X: +0.35 X: +0.25 XX: +0.15 XXX: ±0.10	Material	SEE NOTE
Drawn:	CC				
App'd:	XXXX	Title	SIM CARD ACCEPTOR		NOT TO SCALE
Date:	11 OCT. '24	Revision:	15	Unit:	mm



Type:	CH03-AN
Drawing Number:	CH03-AN
Sheet	1 of 2
Drawing	© E and O E

THIS DRAWING IS CONFIDENTIAL AND MUST NOT BE COPIED OR DISCLOSED WITHOUT WRITTEN CONSENT

CH03-AN080-0BR : PACKAGING DRAWING



- NOTES:
1. REEL DIA.: 33CM.
 2. 700PCS PER REEL, GROSS WEIGHT: 1.19KG.
 3. 8 REELS PER FULL CARTON, GROSS WEIGHT: 10.33KG.

REV.	DATE	BY	DESCRIPTION
10	13/07/12	NYW	RELEASE
11	13/07/12	NYW	CHANGE METAL SHELL DESIGN.
12	13/04/17	NYW	PRODUCT CHANGE.
13	24/05/21	NYW	CHANGE SHELL DESIGN.
14	13/09/24	CC	ADD GCT LOGO.
15	11/07/25	CC	REMOVE GCT ALTERNATIVE P/N.

Scale:	3:1	THIRD ANGLE	Unstated Tolerances: 0 Dec Places 1 Dec Places 2 Dec Places 3 Dec Places	Material	SEE NOTE
Drawn:	CC				
App'd:	XXXX	Title	PACKAGING		NOT TO SCALE
Date:	11 OCT. '24	Revision:	15	Unit:	mm

GCT **GRADCONN**

www.gct.co www.gradconn.com

THIS DRAWING IS CONFIDENTIAL AND MUST NOT BE COPIED OR DISCLOSED WITHOUT WRITTEN CONSENT

Type:	CH03-AN
Drawing Number:	CH03-AN
	Sheet 2 of 2
Drawing	E and O E