

CABLE 359 RF: HIROSE U.FL PLUG + BNC STRAIGHT BULKHEAD JACK WITH O-RING RATED TO IP67/68 + 1.32MM DUAL SHIELD CABLE

SPECIFICATIONS:

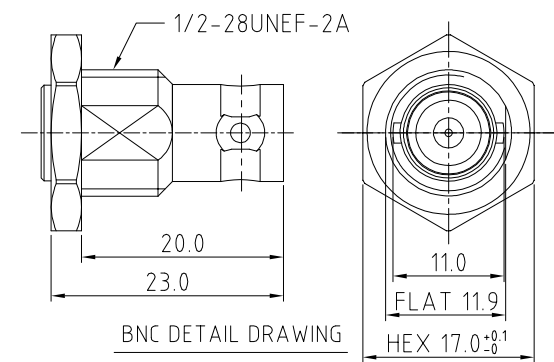
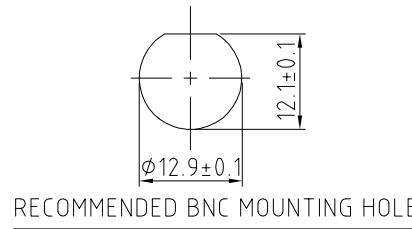
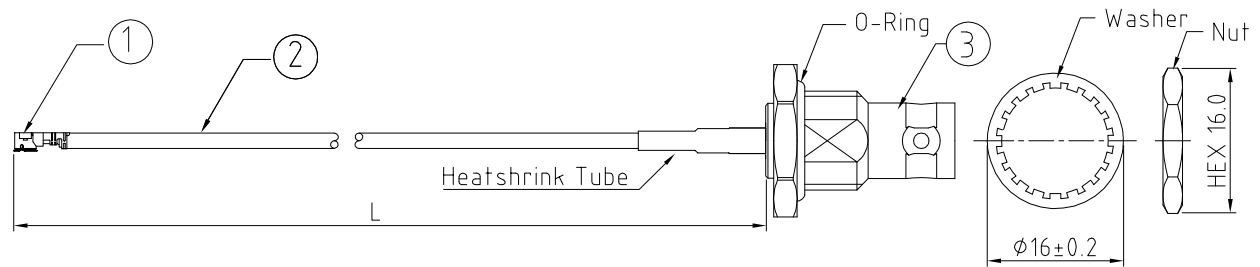
- HIROSE U.FL PLUG, P/N: U.FL-LP-066.
- Ø1.32MM DUAL SHIELD COAXIAL CABLE, COLOR: GRAY.
- BNC STRAIGHT BULKHEAD JACK WITH O-RING RATED TO IP67/68, P/N: RFCT-BNC006-F78.

ENVIRONMENTAL:

- A. BULKHEAD MOUNTED CONNECTOR (RFCT-BNC006-F78) TESTED TO THE FOLLOWING SPECIFICATION:
- IP6X - DUST TIGHT - NO PARTICLE INGRESS.
  - IPX7 WATERPROOF FOR 30 MINUTES UP TO 1 METER UNDERWATER.
  - IPX8 WATERPROOF FOR 48 HOURS AT 1 METER UNDERWATER.
  - IPX8 WATERPROOF FOR 12 HOURS AT 5 METERS UNDERWATER.
  - PRESSURE TEST - 1 BAR FOR 10 SECONDS.

NOTES:

- THE ORIENTATION OF CONNECTORS ON DRAWING IS FOR REFERENCE ONLY, IF THE ORDER IS LEFT BLANK THE CONNECTOR WILL NOT HAVE FIXED ORIENTATION.
- FIXED ORIENTATION IS SUGGESTED FOR CABLE LENGTH 25MM TO 100MM. PLEASE SPECIFY THE FIXED ORIENTATIONS FROM THE ORDER CODE (F1, F2, ETC)
- CONTACT GRAD CONN IF THE ORIENTATION YOU REQUIRE IS NOT SHOWN.
- WORKING FREQUENCY RANGE: DC-3GHz.
- OPERATING TEMPERATURE: -40°C TO +90°C.
- IMPEDANCE: 50 OHM



HOW TO ORDER

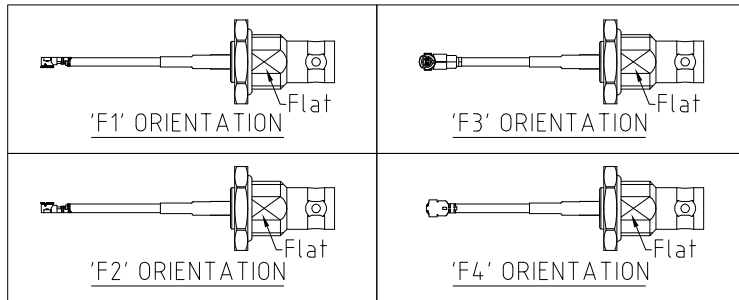
CABLE 359 RF - XXXX - XX - X - 1

"L" LENGTH IN MM  
 eg: 100MM = 0100  
 (MIN. = 0050, MAX. = 2000, STANDARD = 0100, 0150, 0200)  
 Tolerance: 50-200mm: ±5mm.  
 201-500mm: ±7mm.  
 >500mm: ±10mm.

CABLE SIZE:  
 1 = Ø1.32MM DS CABLE, COLOR: GRAY

O-RING, WASHER AND NUT OPTIONS:  
 BLANK = SEPARATELY PACKED (STANDARD)  
 A = ASSEMBLED WITH CONNECTOR

ORIENTATION OPTIONS:  
 BLANK = DOES NOT HAVE A FIXED ORIENTATION  
 F1 = U.FL CONNECTION DOWN (L=25-200MM)  
 F2 = U.FL CONNECTION UP (L=25-200MM)  
 F3 = U.FL CONNECTION SAME AS BNC D-FLAT (L=25-200MM)  
 F4 = U.FL CONNECTION OPPOSITE TO BNC D-FLAT (L=25-200MM)  
 (SEE NOTES 1, 2, 3 AND DIAGRAMS FOR MORE INFORMATION)



REV. DATE & DRN TO 22/10/19 - INTX RELEASE

Scale: NTS	THIRD ANGLE	Unstated X XX XXX ANGLES	Tolerances: N/A N/A N/A N/A
Drawn: NYW			
App'd: XXX	Title CABLE ASSEMBLY		
Date: 22 OCT. '19	Revision: 1.0	Unit: mm	

IP67/68 Rated Cables

www.gradconn.com

Type: Cable 359 RF
CABLE 359 RF
Drawing Number:
Sheet 1 of 1
Drawing © E and O E