

CABLE 161 RF: I-PEX MHF + SMA STRAIGHT BULKHEAD JACK WITH O-RING RATED TO IP67/68 + MULTIPLE CABLE SIZES

SPECIFICATIONS :

- I-PEX MHF PLUG, P/N: FOR RG178 CABLE: 20278-112R-18.
FOR $\phi 1.37\text{MM}$ CABLE: 20351-112R-37.
FOR $\phi 1.13\text{MM}$ CABLE: 20278-112R-13
FOR $\phi 1.32\text{DS}$ & 1.32MM CABLE: 20278-112R-32.
FOR $\phi 0.81\text{MM}$ CABLE: 20278-112R-08
- COAXIAL CABLE, SEE P/N OPTIONS.
- SMA STRAIGHT BULKHEAD JACK WITH O-RING RATED TO IP67/68, P/N: RFCT-SMA002-F78.

USAGE PRECAUTIONS: CABLES USING 'MICRO' COAX ARE DELICATE:

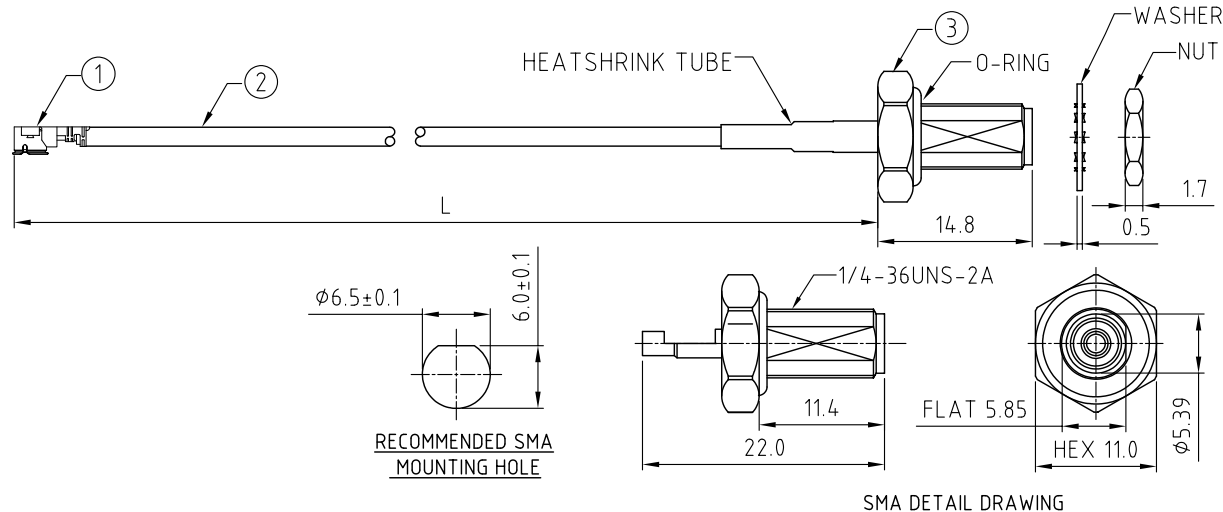
- HANDLE WITH CARE.
- DO NOT TWIST; APPLY EXCESSIVE FORCES OR SHARP BENDS TO THE CABLE. DO NOT FORCEFULLY DEFORM WIRES.
- CONSULT CONNECTOR MANUFACTURER'S DATASHEETS FOR DETAILED NOTES ON HANDLING INSTRUCTIONS.

ENVIRONMENTAL:

- BULKHEAD MOUNTED CONNECTOR (RFCT-SMA002-F78) TESTED TO THE FOLLOWING SPECIFICATION:
 - IP6X - DUST TIGHT - NO PARTICLE INGRESS.
 - IPX7 WATERPROOF FOR 30 MINUTES UP TO 1 METER UNDERWATER.
 - IPX8 WATERPROOF FOR 48 HOURS AT 1 METER UNDERWATER.
 - IPX8 WATERPROOF FOR 12 HOURS AT 5 METERS UNDERWATER.
 - PRESSURE TEST - 1 BAR FOR 10 SECONDS.

NOTES:

- THE ORIENTATION OF CONNECTORS ON DRAWING IS FOR REFERENCE ONLY, IF THE ORDER IS LEFT BLANK THE CONNECTOR WILL NOT HAVE FIXED ORIENTATION.
- FIXED ORIENTATION IS SUGGESTED FOR CABLE LENGTH 25MM TO 100MM. PLEASE SPECIFY THE FIXED ORIENTATIONS FROM THE ORDER CODE (F1, F2, ETC)
- CONTACT GCT IF THE ORIENTATION YOU REQUIRE IS NOT SHOWN.
- WORKING FREQUENCY RANGE: DC-3GHz.
- OPERATING TEMPERATURE: -40°C ~ $+85^{\circ}\text{C}$.
- IMPEDANCE: 50 Ohm.



HOW TO ORDER

CABLE 161 RF - X X X - X X - X - X - X X

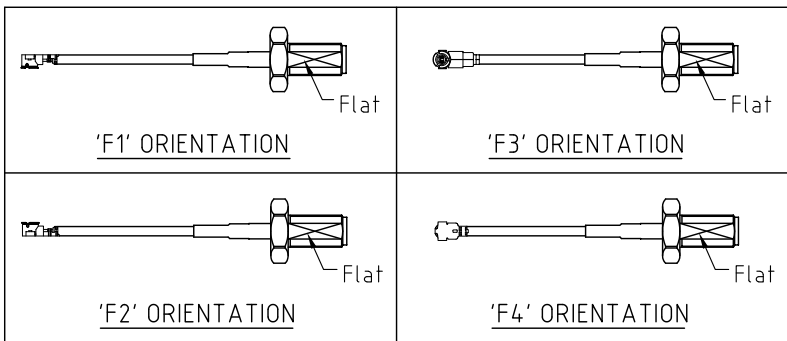
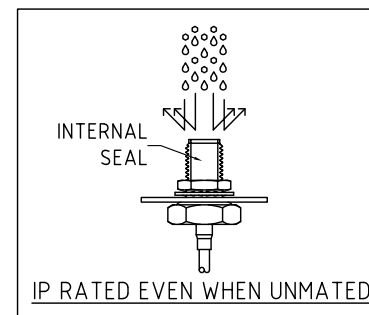
"L" LENGTH IN MM:
eg: 100MM = 100
(MIN. 025-MAX.400)
STANDARD = 100, 150, 200)
Tolerance: 50-200mm: $\pm 5\text{mm}$.
201-400mm: $\pm 7\text{mm}$.

HEATSHRINK TUBE OPTIONS:
BLANK = WITH H/S TUBE (STANDARD)
NT = WITHOUT H/S TUBE

CABLE SIZE OPTIONS:
1 = RG178 CABLE, COLOR: BROWN
2 = $\phi 1.37\text{MM}$ CABLE, COLOR: BLACK
3 = $\phi 1.13\text{MM}$ LOW LOSS CABLE, COLOR: GREY
4 = $\phi 1.13\text{MM}$ CABLE, COLOR: GREY
5 = $\phi 1.32\text{DS}$ CABLE, COLOR: GREY
6 = $\phi 1.13\text{MM}$ CABLE, COLOR: BLACK
7 = $\phi 1.32\text{MM}$ CABLE, COLOR: GREY
8 = $\phi 0.81\text{MM}$ CABLE, COLOR: GREY

ORIENTATION OPTIONS:
BLANK = DOES NOT HAVE A FIXED ORIENTATION
F1 = MHF CONNECTION DOWN (L=25-200MM)
F2 = MHF CONNECTION UP (L=25-200MM)
F3 = MHF CONNECTION AND D FLAT SAME ORIENTATION (L=25-200MM)
F4 = MHF CONNECTION AND D FLAT OPPOSITE ORIENTATION (L=25-200MM)
(SEE NOTES 1, 2, 3 AND DIAGRAMS FOR MORE INFORMATION)

O-RING, WASHER AND NUT OPTIONS:
BLANK = O-RING ASSEMBLED, WASHER AND NUT SEPARATELY PACKED (STANDARD)
A = ALL ASSEMBLED WITH CONNECTOR
D = ALL PACKED SEPARATELY



REV. DATE & DRN	10. 28/10/19 - NYW RELEASE
11. 28/10/19 - NYW	11. 28/10/19 - NYW
12. 28/10/19 - NYW	12. 28/10/19 - NYW
13. 28/10/19 - NYW	13. 28/10/19 - NYW
14. 18/07/16 - CAO	14. 18/07/16 - CAO
15. 19/08/16 - RH	15. 19/08/16 - RH
16. 07/07/16 - NYW	16. 07/07/16 - NYW
17. 27/06/17 - NYW	17. 27/06/17 - NYW
18. 08/11/17 - NYW	18. 08/11/17 - NYW
19. 01/11/17 - NYW	19. 01/11/17 - NYW
20. 27/09/18 - NYW	20. 27/09/18 - NYW
21. 20/03/19 - NYW	21. 20/03/19 - NYW
22. 27/05/19 - NYW	22. 27/05/19 - NYW
23. 10/07/19 - NYW	23. 10/07/19 - NYW
24. 12/07/19 - NYW	24. 12/07/19 - NYW
25. 06/04/22 - NYW	25. 06/04/22 - NYW
26. 06/04/22 - NYW	26. 06/04/22 - NYW
27. 29/04/22 - NYW	27. 29/04/22 - NYW
28. 25/02/24 - CC	28. 25/02/24 - CC
29. 16/07/25 - KY	29. 16/07/25 - KY

Scale: NTS	THIRD ANGLE	Unstated Tolerances:
Drawn: KY		.X N/A .XX N/A .XXX N/A ANGLES N/A
App'd: XXX	Title CABLE ASSEMBLY	
Date: 16 FEB. '25	Revision: 2.9	Unit: mm

IP Rated RF Products



Type: Cable 161 RF
CABLE 161 RF
Drawing Number:
Sheet 1 of 1
Drawing © E and O E