

CAB636RF: SMB STRAIGHT PLUG + BNC STRAIGHT BULKHEAD JACK WITH O-RING RATED TO IP67/68 + Ø1.32MM CABLE, 3GHz

SPECIFICATIONS:

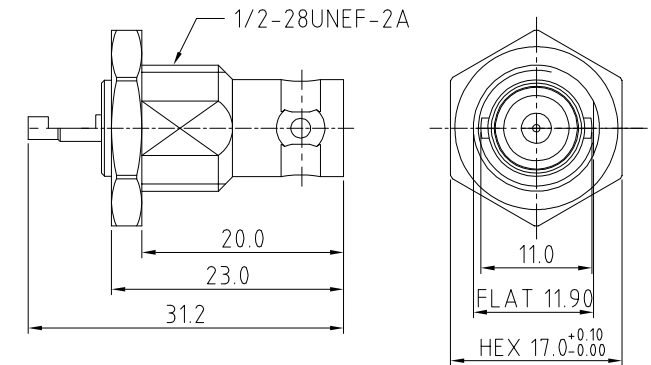
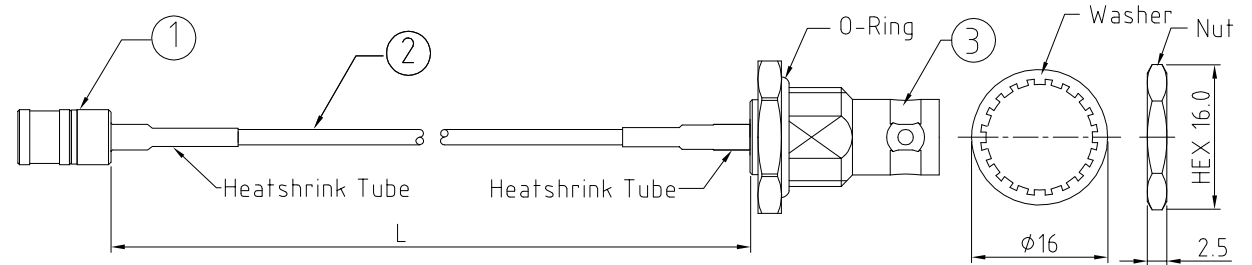
1. SMB STRAIGHT PLUG, P/N: RFCT-SMB005-M32
2. 1.32MM SINGLE SHIELD COAXIAL CABLE, GRAY
3. BNC STRAIGHT BULKHEAD JACK WITH O-RING RATED TO IP67/68, P/N: RFCT-BNC006-F78.

ENVIRONMENTAL:

- A. BULKHEAD MOUNTED CONNECTOR (RFCT-BNC-006-F78) TESTED TO THE FOLLOWING SPECIFICATION:
- i. IP6X - DUST TIGHT - NO PARTICLE INGRESS.
 - ii. IPX7 WATERPROOF FOR 30 MINUTES UP TO 1 METER UNDERWATER.
 - iii. IPX8 WATERPROOF FOR 48 HOURS AT 1 METER UNDERWATER.
 - iv. IPX8 WATERPROOF FOR 12 HOURS AT 5 METERS UNDERWATER.
 - v. PRESSURE TEST - 1 BAR FOR 10 SECONDS.

NOTES:

1. WORKING FREQUENCY RANGE: DC-3GHz.
2. OPERATING TEMPERATURE: -40°C TO +125°C.
3. IMPEDANCE: 50 OHM.



BNC DETAIL DRAWING

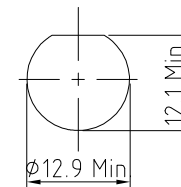
HOW TO ORDER

CAB636 RF - X X X X - X - 1

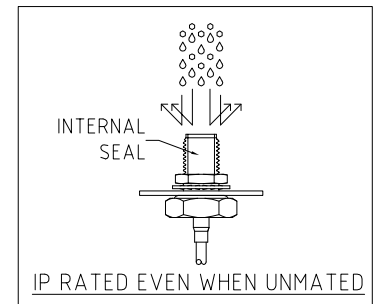
"L" LENGTH IN MM
 eg: 100MM = 0100
 (MIN. = 0050, MAX. = 2000, STANDARD = 0100, 0150, 0200)
 Tolerance: 50-200mm: ±5mm.
 201-500mm: ±7mm.
 500-999mm: ±10mm.
 ≥1000mm: ± (Lx0.02)mm.

CABLE SIZE:
 1 = Ø1.32MM CABLE, COLOR: GRAY

WASHER AND NUT OPTIONS:
 BLANK = SEPARATELY PACKED (STANDARD)
 A = ASSEMBLED WITH CONNECTOR



RECOMMENDED BNC MOUNTING HOLE



REV. DATE & DRN TO 07/05/24 - NYW RELEASE

Scale: NTS	THIRD ANGLE	Unstated .X .XX .XXX	Tolerances: ±0.2 ±0.2 ±0.2
Drawn: NYW		ANGLES	N/A
App'd: XXX	Title CABLE ASSEMBLY		
Date: 1 MAR. '24	Revision: 1.0	Unit: mm	

NAUTILUS
IP Rated RF Products

GRADCONN
www.gradconn.com

Drawing Number: CAB636RF	
Sheet 1	of 1
Drawing ©	E and O E