



CAB632RF: SMP RIGHT ANGLE FEMALE JACK + SMA RIGHT ANGLE BULKHEAD JACK W/O-RING + RG316 CABLE, 6GHz

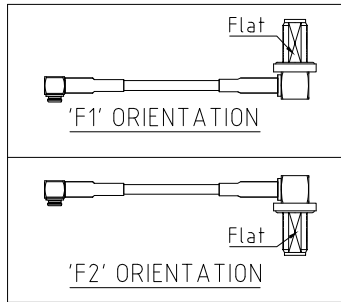
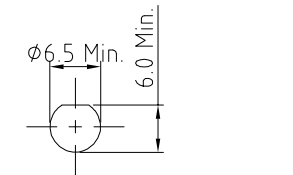
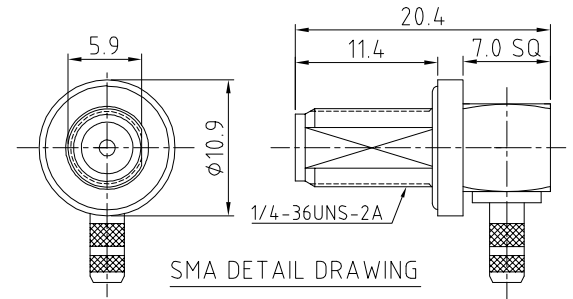
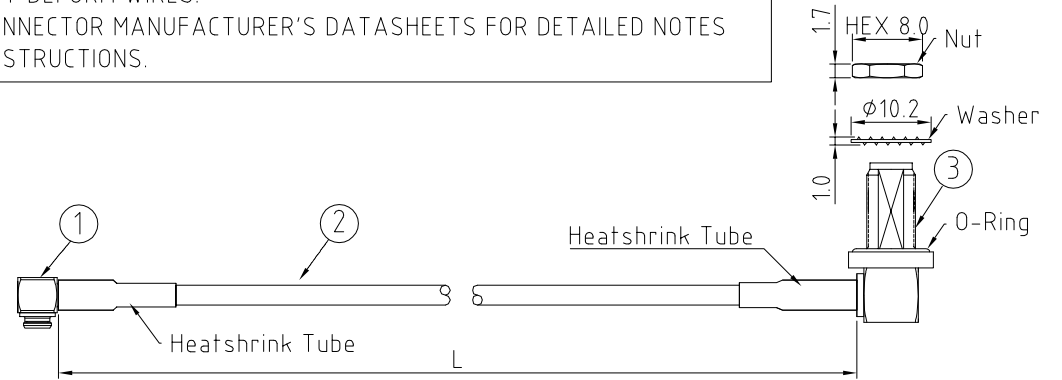
SPECIFICATIONS

1. SMP RIGHT ANGLE JACK , P/N: RFCT-SMP006-F74.
2. RG316 COAXIAL CABLE, COLOR: BROWN.
3. SMA RIGHT ANGLE BULKHEAD JACK WITH O-RING, P/N: RFCT-SMA142-F74.

NOTES:

1. THE ORIENTATION OF CONNECTORS ON DRAWING IS FOR REFERENCE ONLY, IF THE ORDER IS LEFT BLANK THE CONNECTOR WILL NOT HAVE FIXED ORIENTATION.
2. FIXED ORIENTATION IS SUGGESTED FOR CABLE LENGTH 50MM TO 100MM. PLEASE SPECIFY THE FIXED ORIENTATIONS FROM THE ORDER CODE (F1, F2, ETC)
3. CONTACT GRAD CONN IF THE ORIENTATION YOU REQUIRE IS NOT SHOWN.
4. WORKING FREQUENCY RANGE: DC-6GHz
5. OPERATING TEMPERATURE: -40°C TO +125°C.
6. IMPEDANCE: 50 OHM.

USAGE PRECAUTIONS: CABLES USING 'MICRO' COAX ARE DELICATE:
 (i) HANDLE WITH CARE.
 (ii) DO NOT TWIST; APPLY EXCESSIVE FORCES OR SHARP BENDS TO THE CABLE. DO NOT FORCEFULLY DEFORM WIRES.
 (iii) CONSULT CONNECTOR MANUFACTURER'S DATASHEETS FOR DETAILED NOTES ON HANDLING INSTRUCTIONS.



HOW TO ORDER
 CAB632RF - XXXX - XX - X - 1

"L" LENGTH IN MM
 eg: 100MM = 0100
 (MIN. 0050-MAX.0400
 STANDARD = 0100, 0150, 0200)
 Tolerance: 50mm : ±2mm.
 51-200mm: ±5mm.
 201-400mm: ±7mm.

CABLE SIZE:
 1=RG316 CABLE, COLOR: BROWN

WASHER AND NUT OPTIONS:
 BLANK = SEPARATELY PACKED (STANDARD)
 A = ALL ASSEMBLED WITH CONNECTOR

ORIENTATION OPTIONS:
 BLANK = DOES NOT HAVE A FIXED ORIENTATION
 F1 = OPPOSITE ORIENTATION (L=50-200MM)
 F2 = SAME ORIENTATION (L=50-200MM)
 (SEE NOTES 1, 2, 3 AND DIAGRAMS FOR MORE INFORMATION)

REV. DATE & DRN
 10 19/02/24 - NYW RELEASE

Scale: NTS	THIRD ANGLE	Unstated X .XX .XXX ANGLES	Tolerances: ±0.2 ±0.2 ±0.2 N/A	Material SEE NOTE
Drawn: NYW				
App'd: XXX	Title: CABLE ASSEMBLY	NOT TO SCALE		
Date: 19 FEB. '24	Revision: 1.0	Unit: mm		

www.gradconn.com

THIS DRAWING IS CONFIDENTIAL AND MUST NOT BE COPIED OR DISCLOSED WITHOUT WRITTEN CONSENT

Drawing Number: CAB632RF	
Sheet 1	of 1
Drawing ©	E and O E