

CAB612RF: SMA S/T MALE PLUG + SUS316 S/S SMA FEMALE STRAIGHT BULKHEAD JACK W/O-RING RATED TO IP68/69K + RG178 CABLE

SPECIFICATIONS :

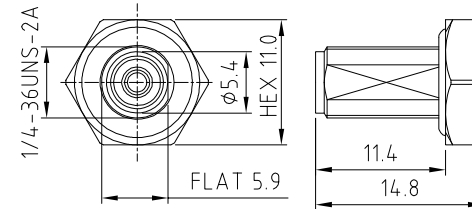
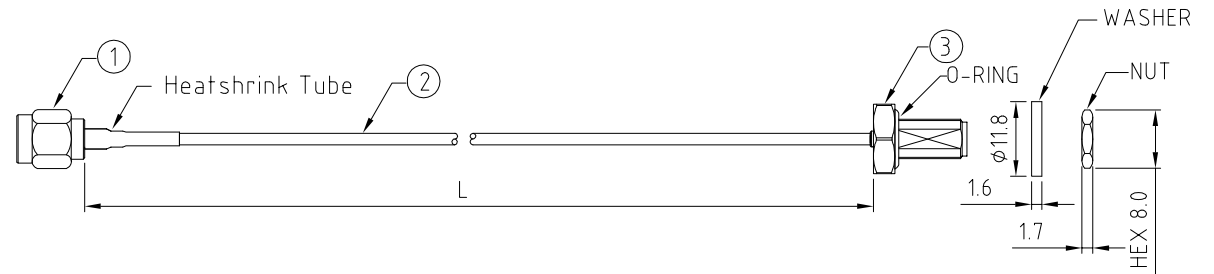
1. SMA STRAIGHT PLUG, GOLD PLATED, P/N: RFCT-SMA022-M78.
2. COAXIAL CABLE, SEE P/N OPTIONS FOR DETAIL.
3. SMA STRAIGHT BULKHEAD JACK W/O-RING, W/SUS316 STAINLESS STEEL BODY, RATED TO IP67/68, P/N: RFCT-SMA122-F78 (WITH SILICONE O-RING), RFCT-SMA122-F78-1 (WITH EPDM O-RING).
4. WASHER: SUS316.
5. NUT: SUS316, PASSIVATED.

ENVIRONMENTAL:

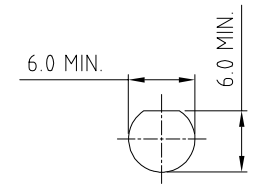
- A. BULKHEAD MOUNTED CONNECTOR (RFCT-SMA122-F78-1) TESTED TO THE FOLLOWING SPECIFICATION:
- i. IP6X - DUST TIGHT - NO PARTICLE INGRESS.
 - ii. IPX8 WATERPROOF FOR 48 HOURS AT 1 METER UNDERWATER.
 - iii. IPX9K WATER SPRAY, 14-16L PER MINUTE, AT 8,000-10,000 KPA, AT 100-150MM DISTANCE FOR 30 SECONDS.

NOTES:

1. WORKING FREQUENCY RANGE: DC-6GHz.
2. OPERATING TEMPERATURE: -40°C TO +125°C
3. IMPEDANCE: 50 OHM
4. IF THE CONNECTOR IS USED IN A CORROSIVE ENVIRONMENT, WE RECOMMEND THE CONNECTOR FACE IS PROTECTED WITH A STAINLESS STEEL DUST CAP.
5. PLEASE USE THE RECOMMENDED TORQUE FORCES FOR STAINLESS STEEL CONNECTORS. THIS IS PUBLISHED ON GRADCONN.COM RESOURCES PAGE.



SMA JACK DETAIL DRAWING



RECOMMENDED SMA MOUNTING HOLE

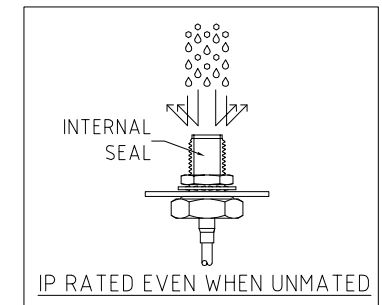
HOW TO ORDER
CAB612RF - X X X X - X - 1 - X

"L" LENGTH IN MM:
eg: 100MM = 0100
(MIN. 0050-MAX.2000)
STANDARD = 0100, 0150, 0200
Tolerance: 50mm: ±2mm.
51-200mm: ±5mm.
201-500mm: ±7mm.
>501mm: ±10mm.

O-RING MATERIAL OPTIONS:
S = SILICONE, RED
E = EPDM, BLACK (STANDARD)

CABLE SIZE:
1 = RG178 CABLE, COLOR: BROWN.

WASHER AND NUT OPTIONS:
BLANK = SEPARATELY PACKED (STANDARD)
A = ALL ASSEMBLED WITH CONNECTOR



REV. DATE & DRN
10 01/12/23 - NYW RELEASE
11 12/09/24 - CC
ADD IP RATING VIEW
12 04/03/24 - NYW
ADD SILICONE O-RING OPTION.

Scale: NTS	THIRD ANGLE	Unstated .X .XX .XXX	Tolerances: ±0.2 ±0.2 ±0.2 N/A
Drawn: CC		ANGLES	
App'd: XXX	Title: CABLE ASSEMBLY		
Date: 4 MAR. '24	Revision: 12	Unit: mm	

NAUTILUS

IP Rated RF Products

GRADCONN

www.gradconn.com

Drawing Number: CAB612RF	
Sheet 1	of 1
Drawing	E and O E