

CAB496RF: HIROSE U.FL PLUG + RP SMA STRAIGHT BULKHEAD JACK + 0.81MM CABLE, 6GHz

SPECIFICATIONS :

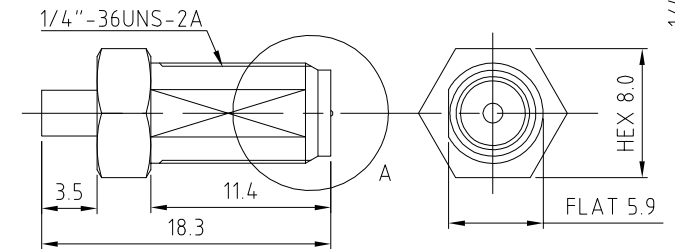
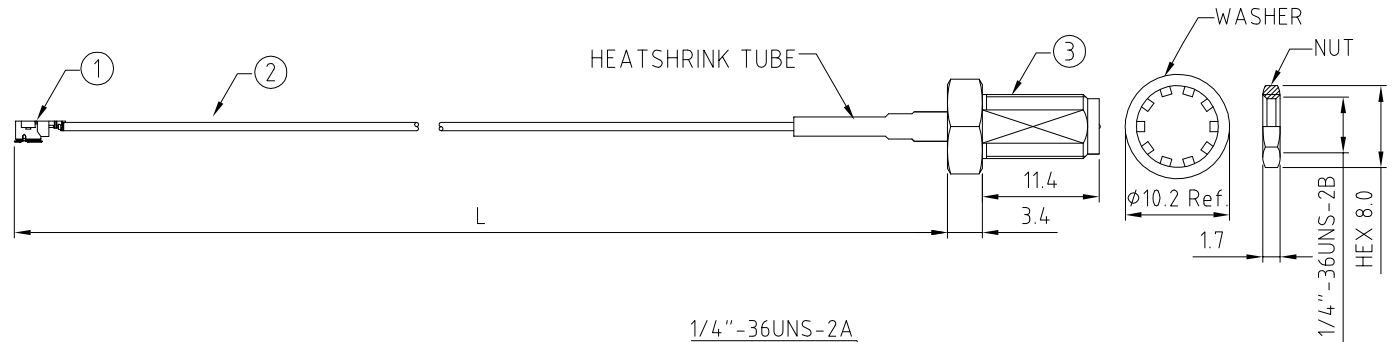
1. HIROSE U.FL PLUG, P/N: U.FL-LP(V)-040.
2. ϕ 0.81MM COAXIAL CABLE, COLOR: GRAY.
3. RP SMA STRAIGHT BULKHEAD JACK, GOLD PLATED.
P/N: RFCT-SMA007-F08.

NOTES:

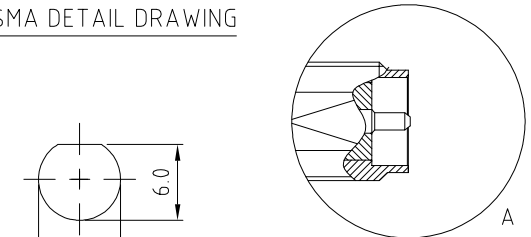
1. THE ORIENTATION OF CONNECTORS ON DRAWING IS FOR REFERENCE ONLY, IF THE ORDER IS LEFT BLANK THE CONNECTOR WILL NOT HAVE FIXED ORIENTATION.
2. FIXED ORIENTATION IS SUGGESTED FOR CABLE LENGTH 25MM TO 100MM. PLEASE SPECIFY THE FIXED ORIENTATIONS FROM THE ORDER CODE (F1, F2, ETC)
3. CONTACT GRAD CONN IF THE ORIENTATION YOU REQUIRE IS NOT SHOWN.
4. WORKING FREQUENCY RANGE: DC-6GHz.
5. OPERATING TEMPERATURE: -40°C TO +85°C.
6. IMPEDANCE: 50 OHM.

USAGE PRECAUTIONS: CABLES USING 'MICRO' COAX ARE DELICATE:

- (i) HANDLE WITH CARE.
- (ii) DO NOT TWIST; APPLY EXCESSIVE FORCES OR SHARP BENDS TO THE CABLE. DO NOT FORCEFULLY DEFORM WIRES.
- (iii) CONSULT CONNECTOR MANUFACTURER'S DATASHEETS FOR DETAILED NOTES ON HANDLING INSTRUCTIONS.



SMA DETAIL DRAWING



RECOMMENDED SMA MOUNTING HOLE

HOW TO ORDER

CAB496RF - X X X X - X X - X - 1

"L" LENGTH IN MM:

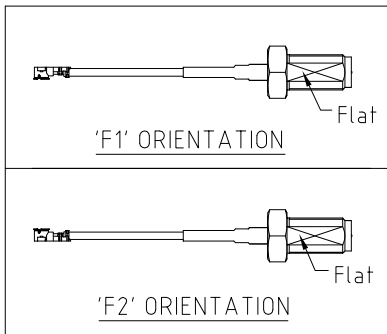
eg: 100MM = 0100
(MIN.0 025-MAX.0400)
STANDARD = 0100, 0150, 0200
Tolerance: 20-50mm: \pm 2mm.
51-200mm: \pm 5mm.
201-400mm: \pm 7mm.

WASHER AND NUT OPTIONS:

BLANK = SEPARATELY PACKED (STANDARD)
A = ALL ASSEMBLED WITH CONNECTOR

ORIENTATION OPTIONS:

BLANK = DOES NOT HAVE A FIXED ORIENTATION
F1 = U.FL CONNECTION DOWN (L=25-200MM)
F2 = U.FL CONNECTION UP (L=25-200MM)
(SEE NOTES 1, 2, 3 AND DIAGRAMS FOR MORE INFORMATION)



Scale: NTS	THIRD ANGLE	Unstated X .XX .XXX ANGLES	Tolerances: N/A N/A N/A	Material SEE NOTE
Drawn: NYW				
App'd: XXX	Title CABLE ASSEMBLY	NOT TO SCALE		
Date: 30 DEC. '21	Revision: 1.0	Unit: mm		

www.gradconn.com

THIS DRAWING IS CONFIDENTIAL AND MUST NOT BE COPIED OR DISCLOSED WITHOUT WRITTEN CONSENT

Drawing Number: CAB496RF	
Sheet 1	of 1
Drawing ©	E and O E