

CAB455RF: I-PEX MHF PLUG + FRONT MOUNT BNC STRAIGHT BULKHEAD JACK WITH O-RING + MULTIPLE CABLE SIZES

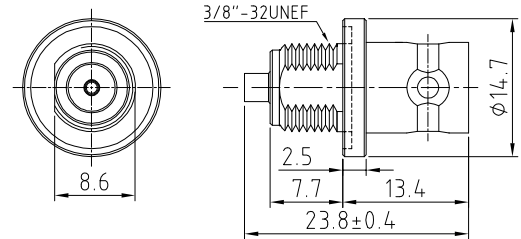
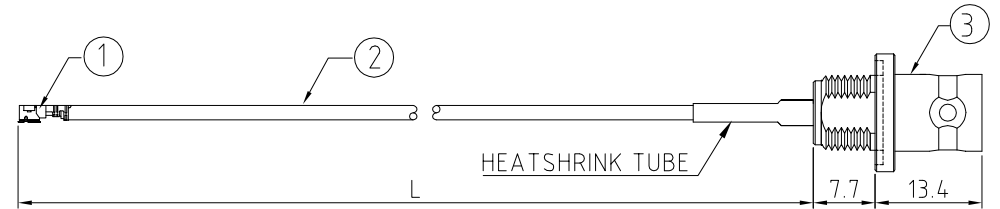
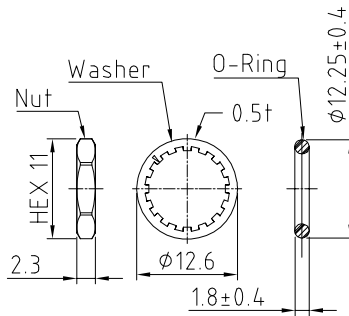
SPECIFICATIONS:

1. I-PEX MHF PLUG, P/N:
FOR $\phi 1.37$ MM CABLE: 20351-112R-37
FOR RG178 CABLE: 20278-112R-18
2. COAXIAL CABLE, SEE P/N FOR DETAIL.
3. FRONT MOUNT BNC STRAIGHT BULKHEAD JACK WITH O-RING, GOLD PLATED, P/N:
FOR $\phi 1.37$ MM CABLE: RFCT-BNC009-F37
FOR RG178 CABLE: RFCT-BNC009-F78

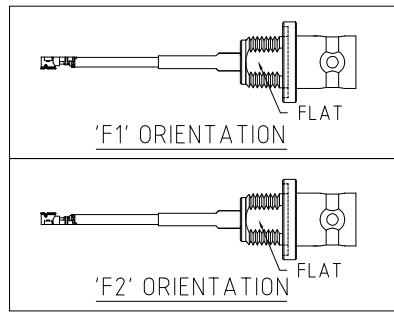
USAGE PRECAUTIONS: CABLES USING 'MICRO' COAX ARE DELICATE:
 (i) HANDLE WITH CARE.
 (ii) DO NOT TWIST; APPLY EXCESSIVE FORCES OR SHARP BENDS TO THE CABLE. DO NOT FORCEFULLY DEFORM WIRES.
 (iii) CONSULT CONNECTOR MANUFACTURER'S DATASHEETS FOR DETAILED NOTES ON HANDLING INSTRUCTIONS.

NOTES:

1. THE ORIENTATION OF CONNECTORS ON DRAWING IS FOR REFERENCE ONLY, IF THE ORDER IS LEFT BLANK THE CONNECTOR WILL NOT HAVE FIXED ORIENTATION.
2. FIXED ORIENTATION IS SUGGESTED FOR CABLE LENGTH 25MM TO 100MM. PLEASE SPECIFY THE FIXED ORIENTATIONS FROM THE ORDER CODE (F1, F2, ETC)
3. CONTACT GRAD CONN IF THE ORIENTATION YOU REQUIRE IS NOT SHOWN.
4. WORKING FREQUENCY RANGE: DC-3GHz.
5. OPERATING TEMPERATURE: -40° TO $+85^{\circ}$.
6. IMPEDANCE: 50 OHM.
7. IT IS INTENDED THAT MOUNTING OF THIS CONNECTOR IS ACHIEVED USING THE NUT AND WASHER PROVIDED. PLEASE CONTACT GRADCONN FOR ADVISE IF PLANNING TO USE A DIFFERENT METHOD OF MOUNTING.



BNC DETAIL DRAWING



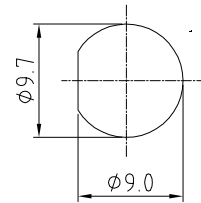
HOW TO ORDER
 CAB455RF - XXXX - XX - X - X

"L" LENGTH IN MM
 eg: 100MM = 0100
 (MIN. 0025-MAX.0400)
 STANDARD = 0100, 0150, 0200
 Tolerance: <math>< 50\text{mm} : \pm 2\text{mm}</math>
 51-200mm: $\pm 5\text{mm}</math>
 201-400mm: $\pm 7\text{mm}</math>$$

CABLE SIZE OPTIONS:
 1 = $\phi 1.37$ MM CABLE, COLOR: BLACK
 2 = RG178 CABLE, COLOR: BROWN.

WASHER AND NUT OPTIONS:
 BLANK = SEPARATELY PACKED (STANDARD)
 A = ASSEMBLED WITH CONNECTOR

ORIENTATION OPTIONS:
 BLANK = DOES NOT HAVE A FIXED ORIENTATION
 F1 = MHF CONNECTION DOWN (L=25-200MM)
 F2 = MHF CONNECTION UP (L=25-200MM)
 (SEE NOTES 1, 2, 3 AND DIAGRAMS FOR MORE INFORMATION)



RECOMMENDED BNC MOUNTING HOLE

REV. DATE & DRN
 10 09/03/21 - NYW RELEASE

Scale: NTS	THIRD ANGLE	Unstated X .XX .XXX ANGLES	Tolerances: N/A N/A N/A N/A	Material SEE NOTE
Drawn: NYW				
App'd: XXX	Title: CABLE ASSEMBLY	NOT TO SCALE		
Date: 9 MAR '21	Revision: 1.0	Unit: mm		

GRADCONN

www.gradconn.com

THIS DRAWING IS CONFIDENTIAL AND MUST NOT BE COPIED OR DISCLOSED WITHOUT WRITTEN CONSENT

Drawing Number: CAB455RF	
Sheet 1	of 1
Drawing ©	E and O E