

BB02-RK :-2.0mm (0.079") SOCKET, THROUGH HOLE, SINGLE ROW - 02 to 40 CONTACTS, STRAIGHT OR RIGHT ANGLE , PROFILE:6.35mm

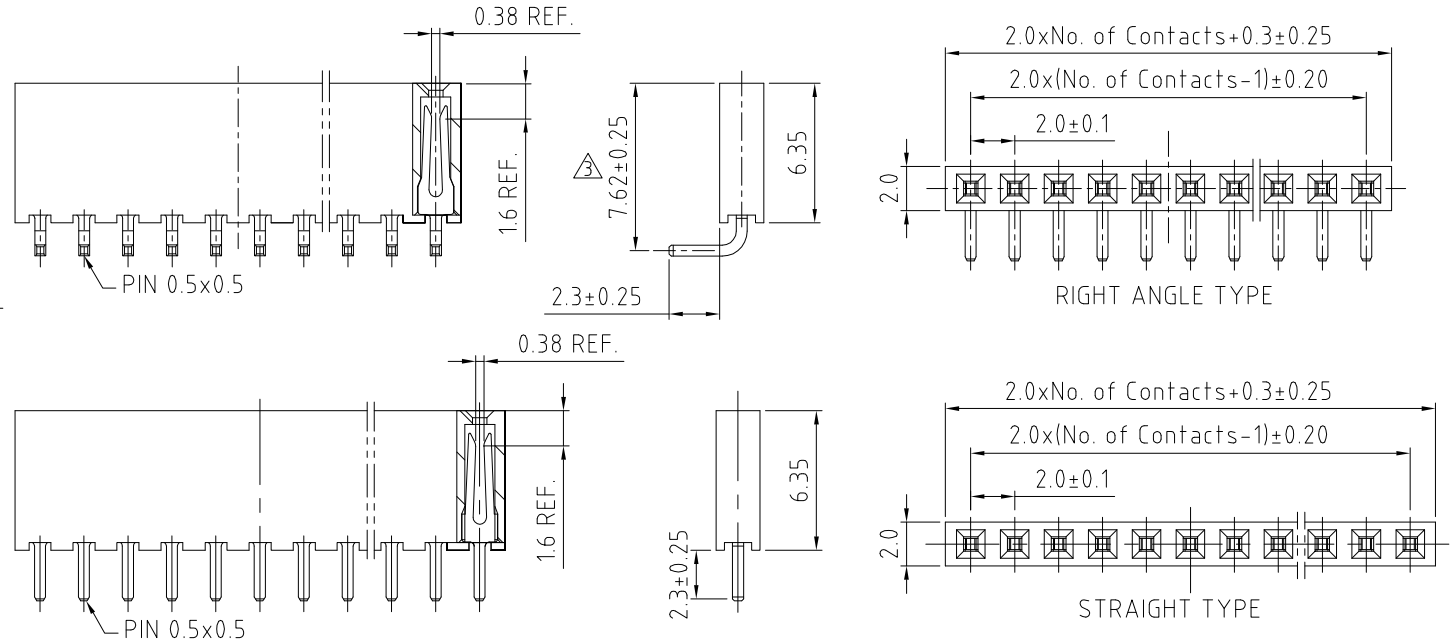
SPECIFICATIONS

CURRENT RATING 2 AMP
 INSULATOR RESISTANCE 1000 MEGOHMS MIN.
 CONTACT RESISTANCE 20m ohms MAX.
 DIELECTRIC WITHSTANDING AC 500 V
 OPERATING TEMPERATURE -55°C TO +105°C
 CONTACT MATERIAL PHOSPHOR BRONZE
 INSULATOR MATERIAL POLYESTER, UL 94V-0
 STANDARD: LCP
 PLATING GOLD, TIN OR SELECTIVE OVER 30-50U" NICKEL
 SOLDERABILITY IR REFLOW: 280°C FOR 10 SEC
 WAVE: 250°C FOR 5-10 SEC
 MANUAL SOLDER: 380°C FOR 3-5 SEC

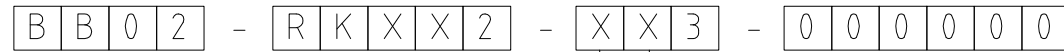
NOTES:

1. PACKED IN TUBE OR BOX.
2. RECOMMENDED MATING PIN LENGTH: 4.0MM Δ

MATES WITH: BB02-FB BB02-1F
 BB02-FK
 BB02-FL
 BB02-RM
 BB02-RT



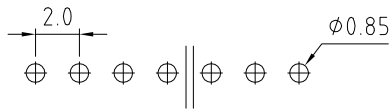
HOW TO ORDER



NO. OF CONTACTS
02 TO 40

CONTACT PLATING OPTIONS
 K = GOLD FLASH (STANDARD)
 A = 10U" GOLD ON CONTACT/GOLD FLASH ON TAIL
 B = 15U" GOLD ON CONTACT/GOLD FLASH ON TAIL
 C = 30U" GOLD ON CONTACT/GOLD FLASH ON TAIL
 T = BRIGHT TIN
 M = MATT TIN
 D = GOLD FLASH ON CONTACT/BRIGHT TIN ON TAIL
 E = 10U" GOLD ON CONTACT/BRIGHT TIN ON TAIL
 F = 15U" GOLD ON CONTACT/BRIGHT TIN ON TAIL
 G = 30U" GOLD ON CONTACT/BRIGHT TIN ON TAIL

CONNECTOR TYPE
 R = RIGHT ANGLE
 S = STRAIGHT



RECOMMENDED PC BOARD HOLE LAYOUT

REV. DATE & DRN
 10. 06/02/05 - NYW RELEASE
 11. 28/05/07 - CRC
 12. ADD NOTES 2
 13. 31/07/08 - NYW
 17. DRAWING MODIFICATION
 18. 28/06/11 - NYW
 19. AMEND DIMENSION

Scale: 4:1	THIRD ANGLE	Unstated Tolerances: X. ± 0.30 X ± 0.25 XX ± 0.15 XXX ± 0.10	Material SEE NOTE
Drawn: NYW			
App'd: XXXX	Title SOCKET		NOT TO SCALE
Date: 26 APR. '17	Revision: 13		Unit: mm

www.gradconn.com

THIS DRAWING IS CONFIDENTIAL AND MUST NOT BE COPIED OR DISCLOSED WITHOUT WRITTEN CONSENT

Type: BB02-RK
BB02-RK
Drawing Number:
Sheet 1 of 1
Drawing © E and O E