

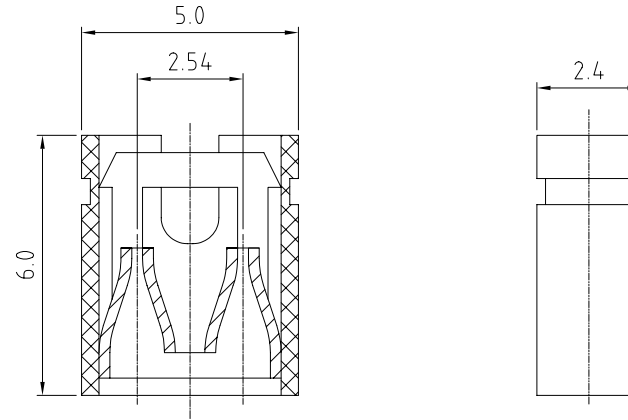
BB02-QF : 2.54mm MINI JUMPER, OPEN TYPE, 2 CONTACTS

SPECIFICATIONS

CURRENT RATING 3 AMPS
 VOLTAGE RATING 250V AC/DC
 WITHSTANDING VOLTAGE 500V AC/MINUTE
 INSULATOR RESISTANCE 1000 MEGOHMS MIN.
 CONTACT RESISTANCE 20m OHMS MIN.
 OPERATING TEMPERATURE -40°C TO +105°C
 CONTACT MATERIAL BRASS
 INSULATOR MATERIAL POLYESTER UL 94V-0
 STANDARD: PBT
 PLATING GOLD FLASH OVER NICKEL

MATES WITH: - 2.54MM PIN HEADERS

NOTES:
 1. PACKAGING: 2,000PCS PER BAG.



HOW TO ORDER

B B 0 2 - Q F 0 2 2 - K 0 1 - 0 0 0 0 0 0 0

REV DATE & DRN
 10 22/07/08 - NYW RELEASE

Scale: 8=1	THIRD ANGLE	Unstated Tolerances: X ± 0.3 .XX ± 0.2	Material SEE NOTE
Drawn: NYW			
App'd: XXXX	Title JUMPER		NOT TO SCALE
Date: 22 JUL '08	Revision: 1.0		Unit: mm



www.gradconn.com

© THIS DRAWING IS CONFIDENTIAL AND MUST NOT BE COPIED OR DISCLOSED WITHOUT WRITTEN CONSENT

Type: BB02-QF
BB02-QF
Drawing Number:
Sheet 1 of 1
Drawing © E and O E