

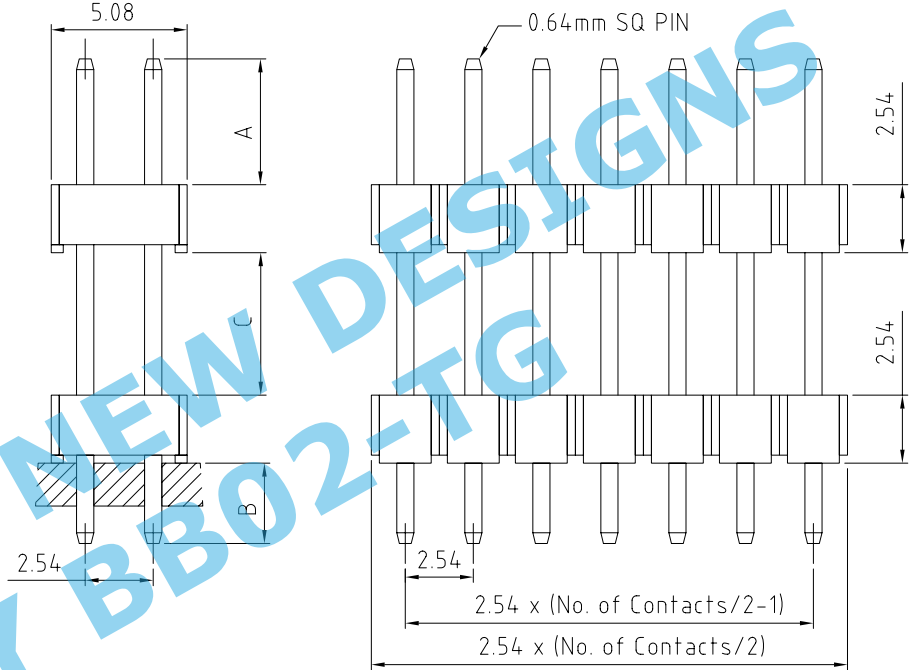
BB02-HK :- 2.54mm (0.1") PIN HEADER,BOARD SPACER DUAL ROW 04 to 80 CONTACTS

SPECIFICATIONS

CURRENT RATING 3 AMP
 INSULATOR RESISTANCE 5000 MEGOHMS MIN.
 DIELECTRIC WITHSTANDING AC 500 V
 OPERATING TEMPERATURE -40°C TO +105°C
 CONTACT MATERIAL COPPER ALLOY (BRASS)
 INSULATOR MATERIAL POLYESTER UL 94V-0
 STANDARD P.B.T.
 PLATING GOLD, TIN, OR SELECTIVE OVER 50U" NICKEL
 SOLDERABILITY: PBT - MANUAL SOLDER: 330°C FOR 3-5 SEC
 (NOT SUITABLE FOR HI-TEMP PROCESS)
 NYLON 6T - IR REFLOW: 260°C FOR 10 SEC
 WAVE: 230°C FOR 5-10 SEC
 MANUAL SOLDER: 350°C FOR 3-5 SEC

PACKED LOOSE IN BAG OR BOX.

MATES WITH :- BB02-JM BB02-KM BB02-LE
 BB02-KA BB02-KQ
 BB02-KD BB02-KS
 BB02-KF BB02-KT
 BB02-KG BB02-KU
 BB02-KH BB02-KW
 BB02-KK BB02-LD



HOW TO ORDER



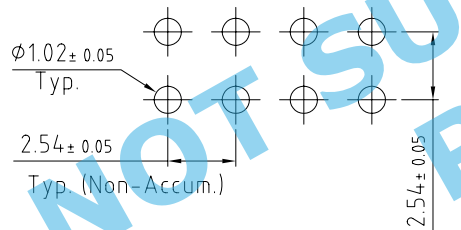
NO. OF CONTACTS
04 TO 80

CONTACT PLATING OPTIONS
 K = GOLD FLASH (STANDARD)
 A = 10U" GOLD ON CONTACT/GOLD FLASH ON TAIL
 B = 15U" GOLD ON CONTACT/GOLD FLASH ON TAIL
 C = 30U" GOLD ON CONTACT/GOLD FLASH ON TAIL
 T = BRIGHT TIN
 M = MATT TIN
 D = GOLD FLASH ON CONTACT/BRIGHT TIN ON TAIL
 E = 10U" GOLD ON CONTACT/BRIGHT TIN ON TAIL
 F = 15U" GOLD ON CONTACT/BRIGHT TIN ON TAIL
 G = 30U" GOLD ON CONTACT/BRIGHT TIN ON TAIL

PIN LENGTH A (1/10mm)
 PLEASE SPECIFY PIN LENGTH REQUIRED
 I.E. 2.5mm = 25
 STANDARD = 60
 TOL.: ±0.2MM

PIN LENGTH B (1/10mm)
 PLEASE SPECIFY PIN LENGTH REQUIRED
 I.E. 2.5mm = 25
 STANDARD = 30
 TOL.: ±0.2MM

INSULATOR MATERIAL Δ
 BLANK = PBT (STANDARD)
 6T = NYLON 6T (HI-TEMP)
 PIN LENGTH C (1/10mm)
 PLEASE SPECIFY PIN LENGTH REQUIRED
 I.E. 2.5mm = 25
 STANDARD = 53
 TOL.: ±0.2MM



RECOMMENDED PC BOARD HOLE LAYOUT

REV	DATE & DRN
10	29/06/02 - S/JT RELEASE
11	23/08/04 - CHC REMOVE PIN OPTION A
12	15/08/06 - NYW ADD PLASTIC OPTION REMOVE PIN MATERIAL C DRAWING MODIFICATION
13	18/01/08 - NYW PLATING MODIFICATION

Scale: 5:1	THIRD ANGLE	Unstated Tolerances: 0 Dec Places 1 Dec Places 2 Dec Places 3 Dec Places	Material SEE NOTE
Drawn: SJT			
App'd: XXX	Title PIN HEADER		NOT TO SCALE
Date: 18 JAN '08	Revision: 1.3		Unit mm

www.gradconn.com

THIS DRAWING IS CONFIDENTIAL AND MUST NOT BE COPIED OR DISCLOSED WITHOUT WRITTEN CONSENT

Type: BB02-HK
BB02-HK
Drawing Number:
Sheet 1 of 1
Drawing © E and O E