



格瑞康實業有限公司

No. 139 Wuhan Rd., Longtan Township, Taoyuan County, Taiwan 32549

Tel: +886-3-4993132 Fax: +886-3-4991561

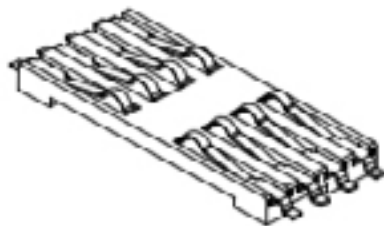
[www.gradconn.com](http://www.gradconn.com)

---

## PRODUCT SPECIFICATION

GradConn Part No.: CH03-CJ

Product Description: SIM Card Connector - 8 Pin, Contact Type





## 1.0 Product Specification

## 1.1 Features

GSM 11.11 Standard SIM Card

## 2.0 Technical Characteristics

## 2.1 General Characteristics

Items	Standard	Description
Dimension		23.62L x 10.16W x 1.30H mm.
Weight		Approx. 0.55g.
Card Size	ISO7816 Part 2 GSM 11.11	85.6 x 54.0 x 0.76 mm. 25.0 x 15.0 x 0.76 mm.
Contact Principle		Friction technology.
Operating Position		Shaft up / Down / Horizontal.
Mounting System		SMT Type (Post Optional).
Durability		100,000 cycles min.
Material		
Insulator		Thermoplastic UL94V-0.
Data Contact		Phosphor Bronze.
Plating		Gold over Nickel.

## 2.2 Electrical Characteristics (According to Standard IEC512)

Items	Standard	Description
Number of Contacts		8 pins.
Contact Resistance	IEC512-2-2a	50 mΩ typical, 100 mΩ max.
Insulation Resistance Pin to Pin	IEC512-2-3a	> 1000 MΩ/500 VDC.
Rated Voltage		< 50 V
Rated Current		1 A max. 10 μA min
Dielectric Withstanding Voltage	IEC512-2-4a	500 V AC rms 1 min. (sea level).



2.3 Mechanical Characteristics		
Items	Standard	Description
Contact Location	ISO7816 Part 2 or GSM 11.11	
Contact Height		0.75±0.10mm.
Contact Force	SIM Card 0.76mm	> 0.2N.

2.4 Solderability (According to Standard IEC68)		
Items	Standard	Description
IR Reflow		250°C, 10 sec. max.
Manual Soldering	IEC68-2-20.	360°C, 3 sec. max.

2.5 Environmental Characteristics (According to Standard IEC68)		
Items	Standard	Description
Operating Temperature		- 40°C ~ + 85°C.
Operating Humidity		10% ~ 95% RH.
Storage Temperature		- 40°C ~ + 85°C.
Storage Humidity		10% ~ 95% RH.
Thermal Shock		- 40°C ~ + 85°C, 5 cycles.
Damp Heat		40°C, 90%RH, 10 days.
Salt-Mist		35°C, 5% NaCl, 24HR.

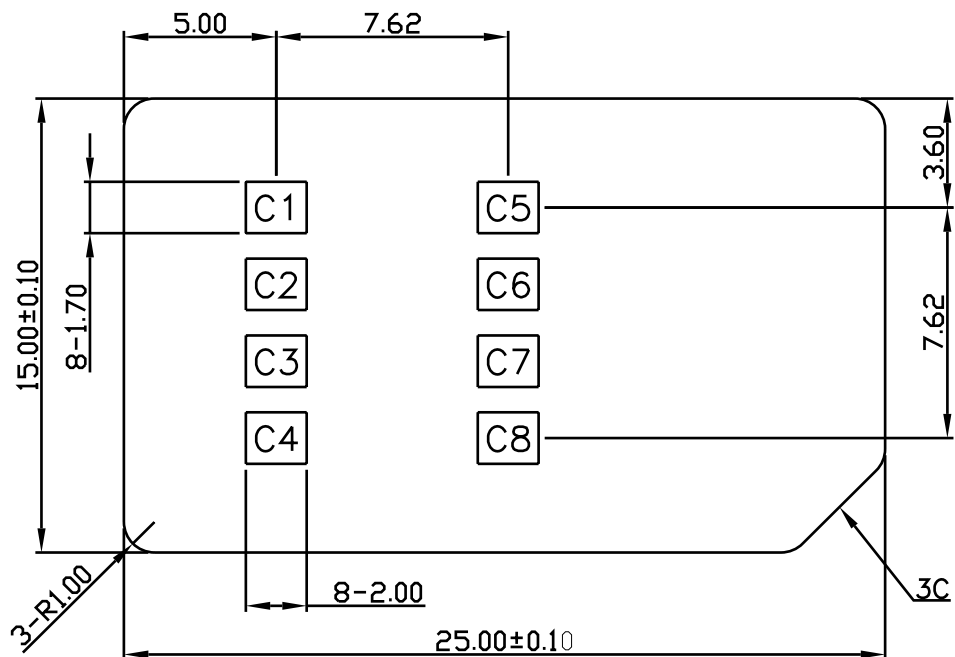
3.0 Interface

3.1 Signals

Contact No	Assignment	Description
C1	VCC	Power Voltage.
C2	RST	Reset Signal.
C3	CLK	Clocking Signal.
C4	***	Reserved for Feature Use.
C5	GND	Power and Signal Ground.
C6	VPP	Programming Voltage.
C7	I/O	Serial Data input/output.
C8	***	Reserved for Feature Use

3.2 SIM Card Dimension (According to Standard GSM 11.11)

Dimensions in millimeters (mm)



Thickness: 0.76 +/- 0.08 mm