



格瑞康實業有限公司

No. 139 Wuhan Rd., Longtan Township, Taoyuan County, Taiwan 32549

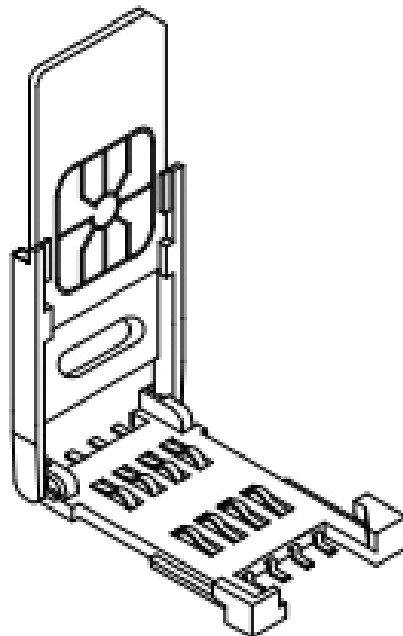
Tel: +886-3-4993132 Fax: +886-3-4991561

www.gradconn.com

PRODUCT SPECIFICATION

GradConn Part No.: CH03-BL

Product Description: SIM Card Connector - 6 or 8 Pin, Hinged Type





1.0 Product Specification

1.1 Features
GSM 11.11 Standard SIM Card

2.0 Technical Characteristics

| 2.1 General Characteristics | | |
|-----------------------------|-----------|-------------------------------|
| Items | Standard | Description |
| Dimension | | 29.65L x 17.20W x 2.50H mm. |
| Weight | | Approx. 1.00g. |
| Card Size | GSM 11.11 | 25.0 x 15.0 x 0.76 mm. |
| Contact Principle | | Friction technology. |
| Operating Position | | Shaft up / Down / Horizontal. |
| Mounting System | | SMT Type (without post). |
| Durability | | 5,000 cycles min. |
| Material | | |
| Insulator | | Thermoplastic UL94V-0. |
| Data Contact | | Phosphor Bronze. |
| Plating | | Gold over Nickel. |

| 2.2 Electrical Characteristics (According to Standard IEC512) | | |
|---------------------------------------------------------------|-------------|----------------------------------|
| Items | Standard | Description |
| Number of Contacts | | 6 or 8 pins (optional). |
| Contact Resistance | IEC512-2-2a | 50 mΩ typical, 100 mΩ max. |
| Insulation Resistance Pin to Pin | IEC512-2-3a | > 1000 MΩ/500 VDC. |
| Rated Voltage | | < 50 V |
| Rated Current | | 1 A max. 10 μA min |
| Dielectric Withstanding Voltage | IEC512-2-4a | 500 V AC rms 1 min. (sea level). |



| 2.3 Mechanical Characteristics | | |
|--------------------------------|-----------------|---------------------|
| Items | Standard | Description |
| Contact Location | GSM 11.11 | |
| Contact Height | | 0.90 +0.20/-0.10mm. |
| Contact Force | SIM Card 0.76mm | ≥ 0.5N. |

| 2.4 Solderability (According to Standard IEC68) | | |
|-------------------------------------------------|-------------|---------------------|
| Items | Standard | Description |
| IR Reflow | | 260°C, 10 sec. max. |
| Manual Soldering | IEC68-2-20. | 360°C, 3 sec. max. |

| 2.5 Environmental Characteristics (According to Standard IEC68) | | |
|-----------------------------------------------------------------|----------|----------------------------|
| Items | Standard | Description |
| Operating Temperature | | - 40°C ~ + 85°C. |
| Operating Humidity | | 10% ~ 95% RH. |
| Storage Temperature | | - 40°C ~ + 85°C. |
| Storage Humidity | | 10% ~ 95% RH. |
| Thermal Shock | | - 40°C ~ + 85°C, 5 cycles. |
| Damp Heat | | 40°C, 90%RH, 10 days. |
| Salt-Mist | | 35°C, 5% NaCl, 24HR. |

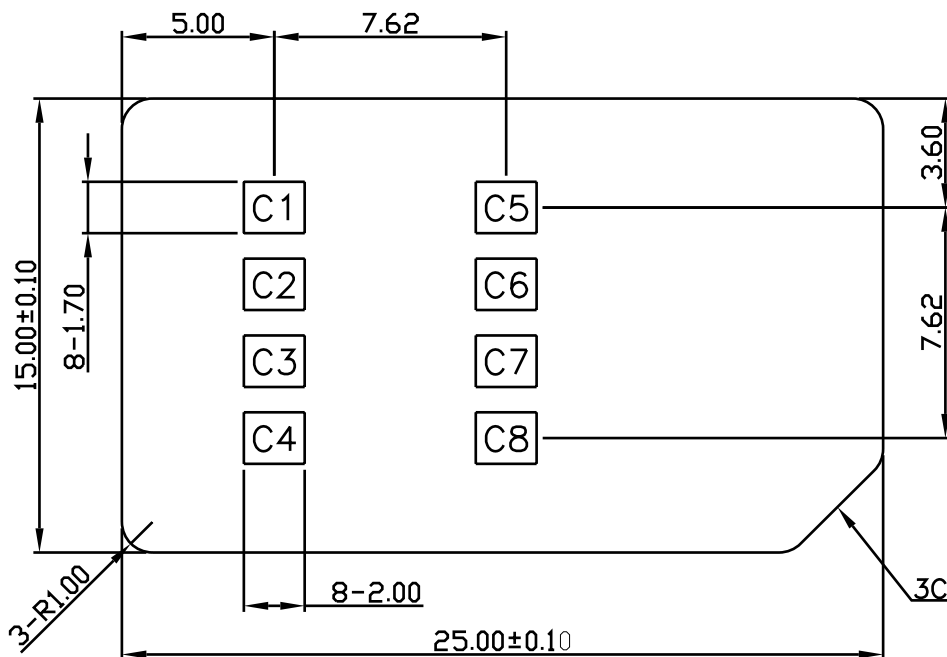
3.0 Interface

3.1 Signals

| Contact No | Assignment | Description |
|------------|------------|---------------------------|
| C1 | VCC | Power Voltage. |
| C2 | RST | Reset Signal. |
| C3 | CLK | Clocking Signal. |
| C4 | RFU | Reserved for Feature Use. |
| C5 | GND | Power and Signal Ground. |
| C6 | VPP | Programming Voltage. |
| C7 | I/O | Serial Data input/output. |
| C8 | RFU | Reserved for Feature Use |

3.2 SIM Card Dimension (According to Standard GSM 11.11)

Dimensions in millimeters (mm)



Thickness: 0.76 +/- 0.08 mm