

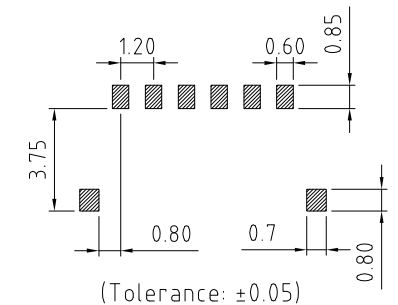
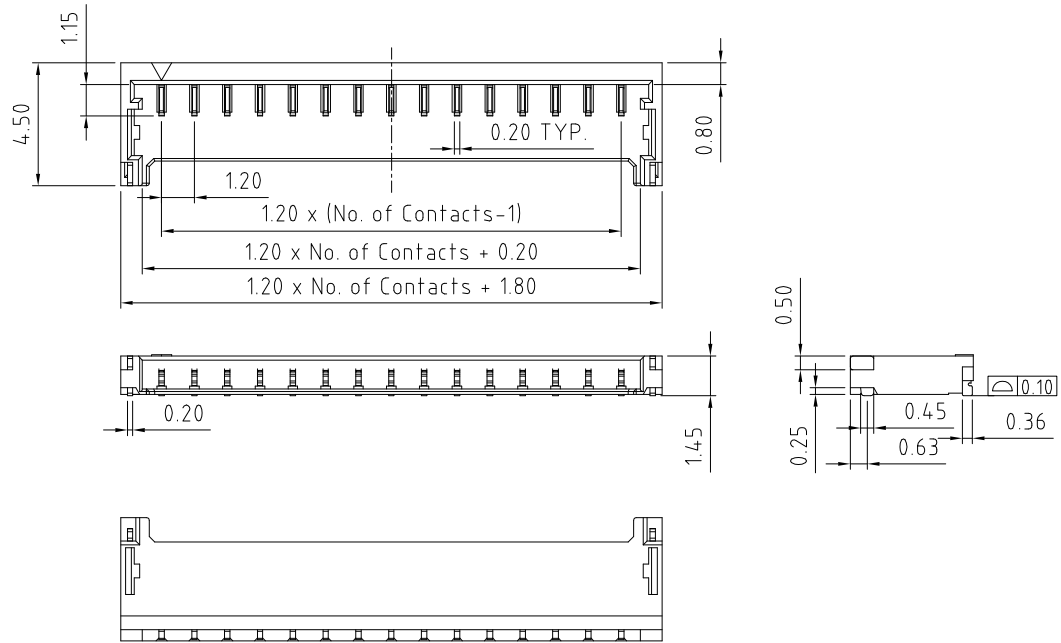
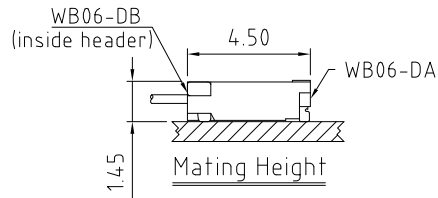
WB06-DA : 1.20mm WTB WAFER, RIGHT ANGLE, SMT TYPE, SINGLE ROW - 02 to 06 CONTACTS

SPECIFICATIONS

CURRENT RATING	MAX. 1.0A FOR AWG#30 MAX. 1.5A FOR AWG#28
VOLTAGE RATING	50V AC/DC
INSULATOR RESISTANCE	100M OHMS MIN.
OPERATING TEMPERATURE	-25°C TO +85°C
CONTACT RESISTANCE	20m OHMS MAX. PER PIN
CONTACT MATERIAL	BRASS
FITTING NAIL MATERIAL	BRASS
INSULATOR MATERIAL	THERMOPLASTIC, UL 94V-0 STANDARD: NYLON 6T (COLOR: BLACK)
CONTACT PLATING	GOLD FLASH OVER NICKEL
FITTING NAIL PLATING	MATTE TIN OVER NICKEL

NOTE:
1. FOR LARGER NUMBER OF CONTACTS WITH +50K USAGE, CONTACT GRAD CONN FOR MORE DETAIL.

MATES WITH: - WB06-DB



RECOMMENDED PC BOARD LAYOUT

HOW TO ORDER



NO. OF CONTACTS:
02 TO 06
(See Note 1)

PACKAGING TYPE:
6 = TAPE & REEL

REV. DATE & DRN	10. 26/07/14 - NYW RELEASE
11. 03/07/15 - NYW ADD MATES WITH P/N	

Scale: 5:1	THIRD ANGLE	Unstated Tolerances: X ±0.25 XX ±0.15 XXX ±0.10	Material SEE NOTE
Drawn: NYW			
App'd: XXXX	Title WAFER		NOT TO SCALE
Date: 13 FEB. '15	Revision: 11		Unit: mm

THIS DRAWING IS CONFIDENTIAL AND MUST NOT BE COPIED OR DISCLOSED WITHOUT WRITTEN CONSENT

Type: WB06-DA
WB06-DA
Drawing Number:
Sheet 1 of 1
Drawing © E and O E