

UC04-NC :- Micro USB Socket, AB Type, SMT, 5P, Middle Mount

Specifications -

Current rating : Pins 2, 3, 4 (Signal) :1.0A AC/DC

Pins 1, 5 (Power) : 1.8A AC/DC

Contact resistance : 30m Ohms max.

Insulation resistance : 100M Ohms min.

Withstanding voltage : 250V AC/minute

Operation emperature : -25°C to +85°C

Insulator material : LCP, UL94V-0

Contact material : Copper Alloy

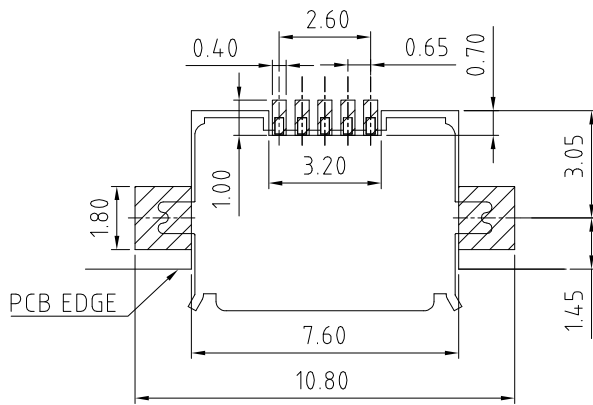
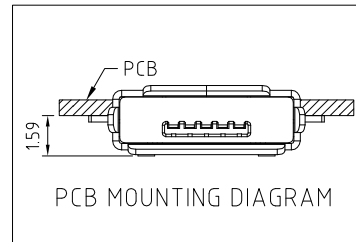
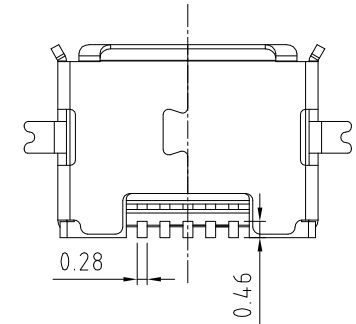
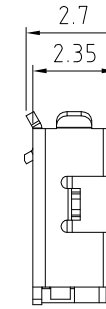
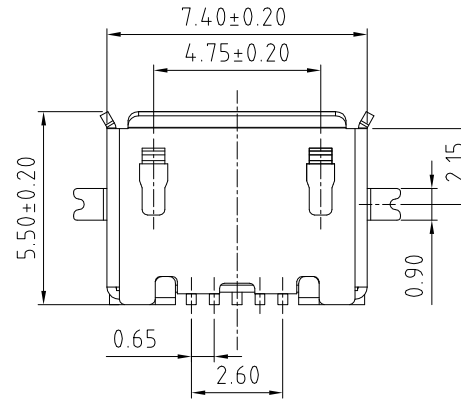
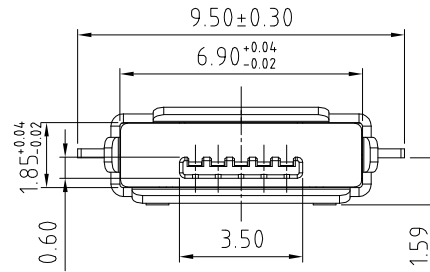
Shell material : Stainless steel

Contact plating : 30u" Gold on Contact/Gold Flash on Tail over Nickel

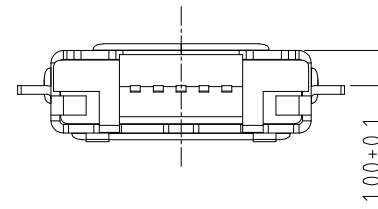
Shell plating : Matte Tin

Durability: 10,000 Cycles

Packaging : Tape and Reel (1,500pcs/reel)



Recommended PCB Layout
Viewed from Component Side
(Tolerance: ±0.05)



HOW TO ORDER

UC04-NC052-COR-M

REV. DATE & DRN
10 30/10/11 - NYW RELEASE
11 11/05/12 - NYW
AMEND CURRENT RATING

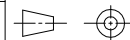
Scale: 6.4:1

Drawn: NYW

App'd: XXXX

Date: 11 MAY '12

THIRD ANGLE



Title SOCKET

Revision: 11

Unstated Tolerances:

X ± 0.40
XX ± 0.25
XXX ± 0.05

Material
SEE NOTE

NOT TO SCALE

UNIT: mm



www.gradconn.com

THIS DRAWING IS CONFIDENTIAL AND MUST NOT BE COPIED OR DISCLOSED WITHOUT WRITTEN CONSENT

Type: UC04-NC

UC04-NC

Drawing Number:

Sheet 1 of 2

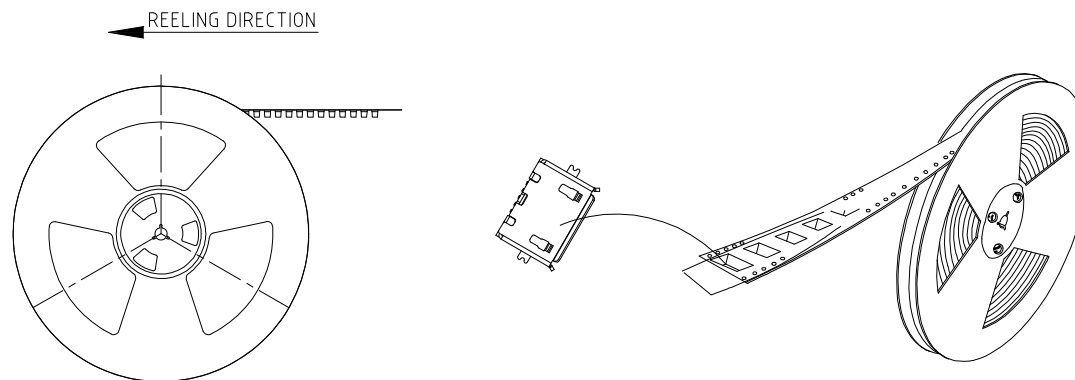
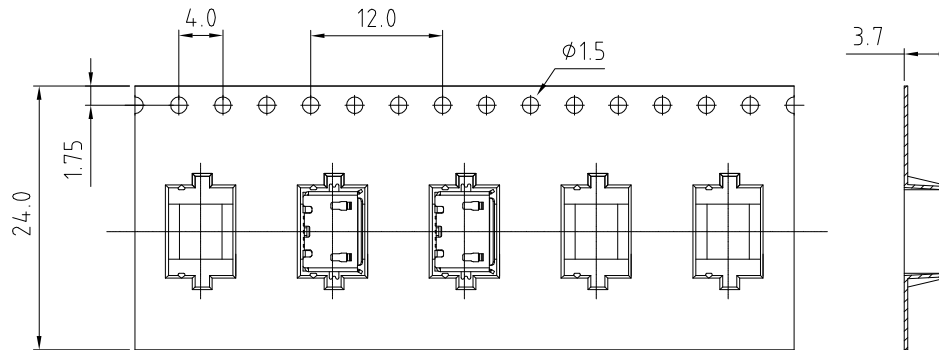
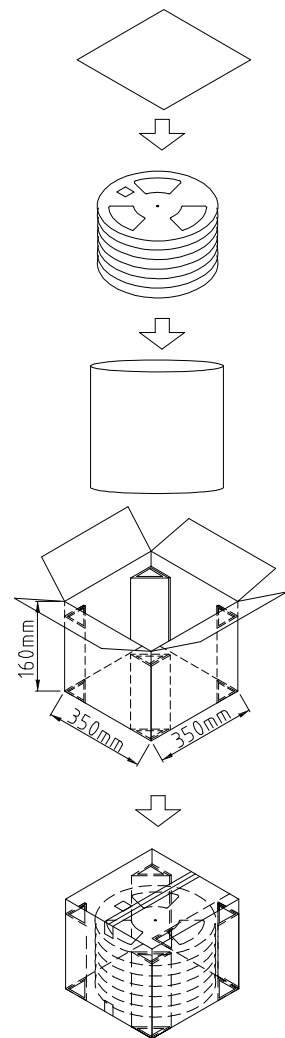
Drawing ©

E and O E

UC04-NC : Packaging Drawing

Specifications:

1. Packaging confirms EIA-481-C standard.
2. 10 sprocket hole pitch cumulative tolerance ± 0.2 mm.
3. Material: Polystyrene (PS).
4. Reel dia.: 33cm.
5. Component load per reel: 1,500pcs.
6. 3 reels per full carton.



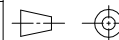
Scale: NTS

Drawn: NYW

App'd: XXXX

Date: 1 DEC '11

THIRD ANGLE



Title PACKAGING

Revision: 1.0

Unstated Tolerances:

- X ± 0.20
- XX ± 0.10
- .XXX ± 0.05

Material

SEE NOTE

NOT TO SCALE

Unit: mm



www.gradconn.com

THIS DRAWING IS CONFIDENTIAL AND MUST NOT BE COPIED OR DISCLOSED WITHOUT WRITTEN CONSENT

Type: UC04-NC

UC04-NC

Drawing Number:

Sheet 2 of 2

Drawing © E and O E