

UC04-NB :- Micro USB Socket, AB Type, SMT, 5P, Bottom Mount

Specifications -

Current rating : Pins 2, 3, 4 (Signal) :1.0A AC/DC

Pins 1, 5 (Power) : 1.8A AC/DC

Contact resistance : 30m Ohms max.

Insulation resistance : 100M Ohms min.

Withstanding voltage : 250V AC/minute

Operation emperature : -25°C to +85°C

Insulator material : LCP, UL94V-0

Contact material : Copper Alloy

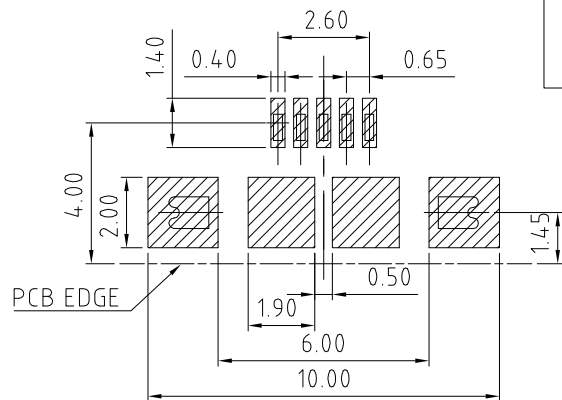
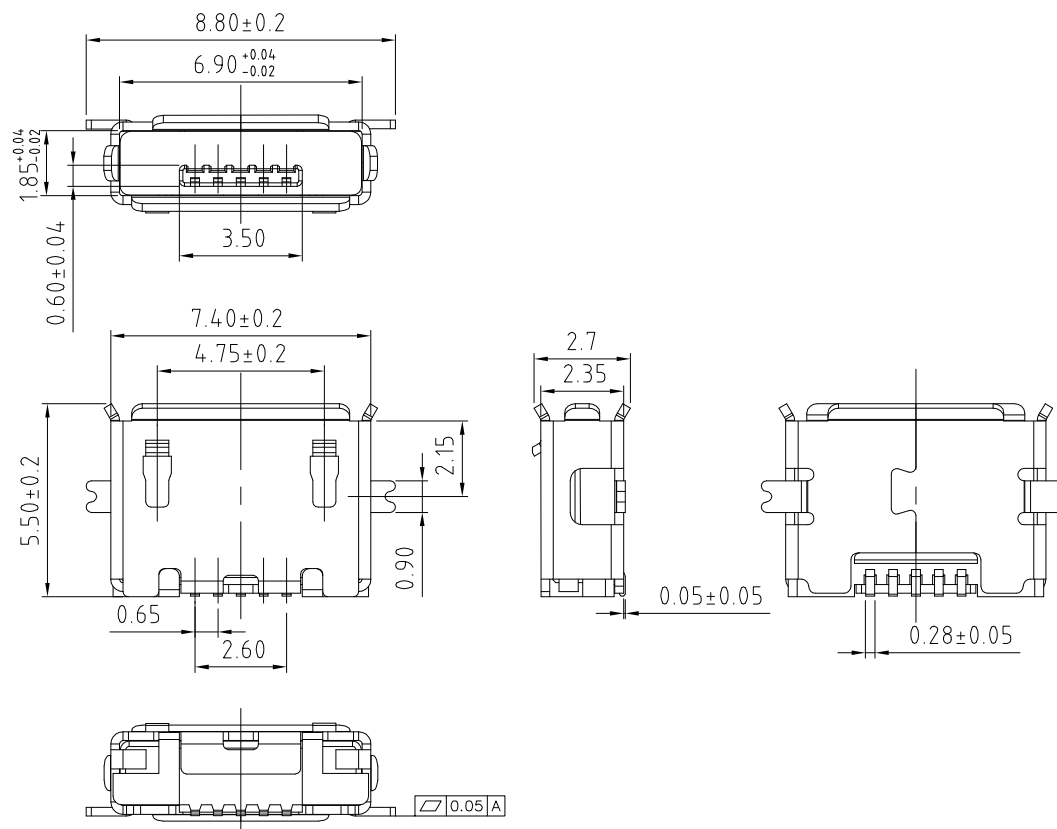
Shell material : Stainless steel

Contact plating : 30u" Gold on Contact/Gold Flash on Tail over Nickel

Shell plating : Matte Tin

Durability: 10,000 Cycles

Packaging : Tape and Reel (1,500pcs/reel)



Recommended PCB Layout
Viewed from Component Side
(Tolerance: ±0.05)

HOW TO ORDER

U C 0 4 - N B 0 5 2 - C O R - M

REV. DATE & DRN
11 11/05/12 - NYW
APPEND CURRENT RATING

Scale: 6.4:1	THIRD ANGLE	Unstated Tolerances: X ± 0.40 XX ± 0.25 XXX ± 0.05	Material SEE NOTE
Drawn: NYW			NOT TO SCALE
App'd: XXXX	Title SOCKET		UNIT: mm
Date: 11 MAY '12	Revision: 11		

www.gradconn.com

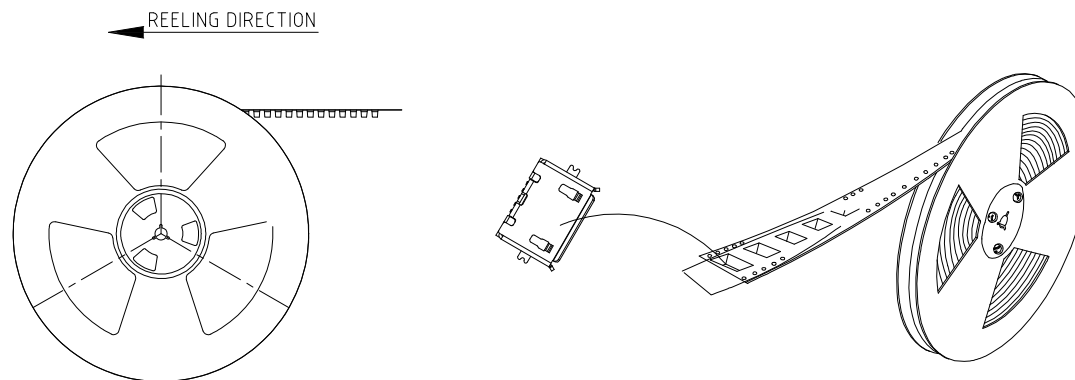
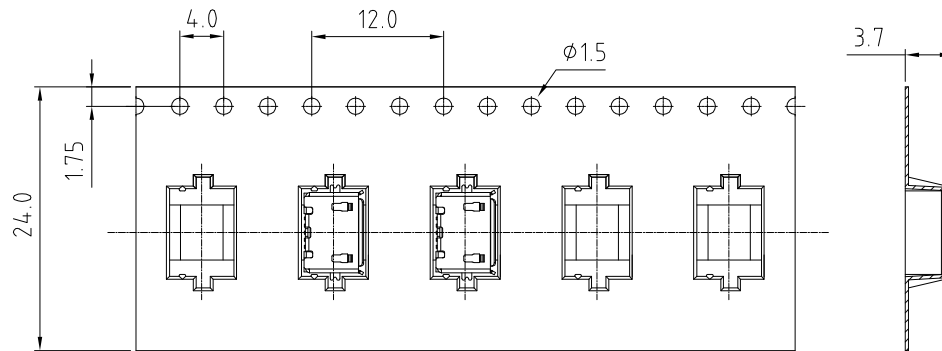
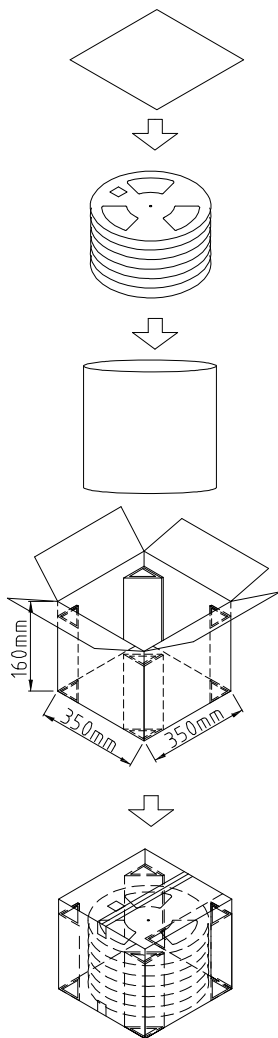
THIS DRAWING IS CONFIDENTIAL AND MUST NOT BE COPIED OR DISCLOSED WITHOUT WRITTEN CONSENT

Type: UC04-NB
UC04-NB
Drawing Number:
Sheet 1 of 2
Drawing © E and O E

UC04-NB : Packaging Drawing

Specifications:

1. Packaging confirms EIA-481-C standard.
2. 10 sprocket hole pitch cumulative tolerance ± 0.2 mm.
3. Material: Polystyrene (PS).
4. Reel dia.: 33cm.
5. Component load per reel: 1,500pcs.
6. 3 reels per full carton.



REV. DATE & DRN
TO 05/10/11 - NYW RELEASE

Scale: NTS	THIRD ANGLE	Unstated Tolerances: X ± 0.20 XX ± 0.10 XXX ± 0.05	Material SEE NOTE
Drawn: NYW			
App'd: XXXX	Title PACKAGING	NOT TO SCALE	
Date: 5 OCT '11	Revision: 1.0	Unit: mm	



Type: UC04-NB
UC04-NB
Drawing Number:
Sheet 2 of 2
Drawing © E and O E

© THIS DRAWING IS CONFIDENTIAL AND MUST NOT BE COPIED OR DISCLOSED WITHOUT WRITTEN CONSENT