

UC04-LC :- Micro USB Socket, B Type, SMT, 5P, Bottom Mount, With Metal Stakes

Specifications -

Current rating : Pins 2, 3, 4 (Signal) :1.0A AC/DC

Pins 1, 5 (Power) : 1.8A AC/DC

Contact resistance : 30m Ohms max.

Insulation resistance : 100M Ohms min.

Withstanding voltage : 250V AC/minute

Operation emperature : -25°C to +85°C

Insulator material : LCP, UL94V-0

Contact material : Copper Alloy

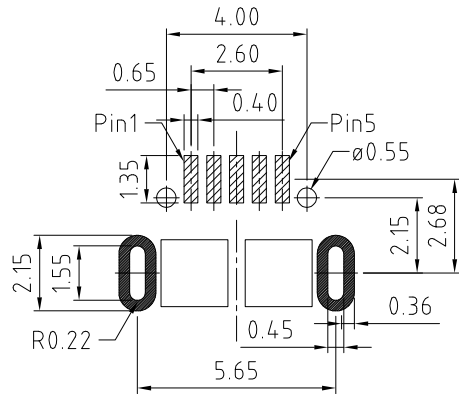
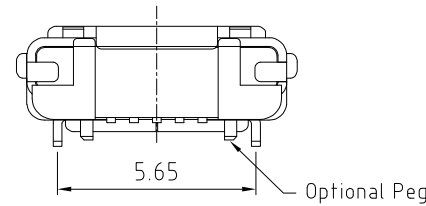
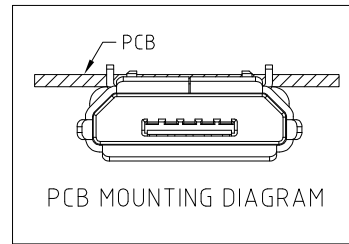
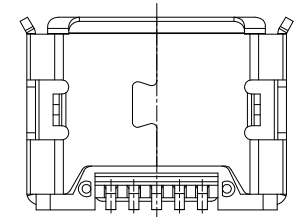
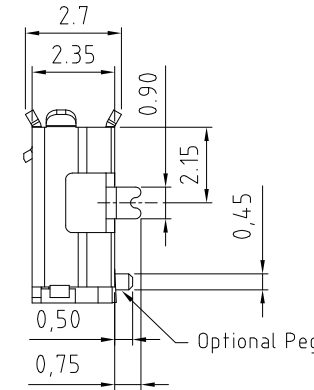
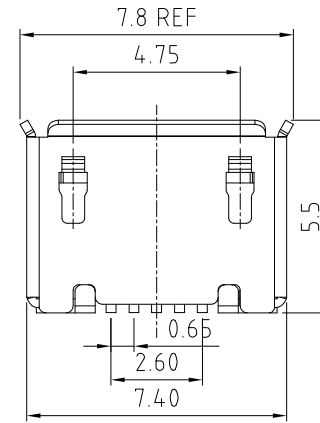
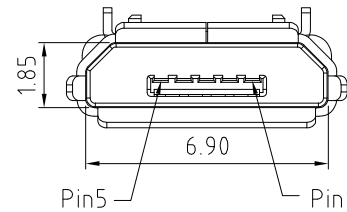
Shell material : Stainless steel

Contact plating : 30u" Gold on Contact/Gold Flash on Tail over Nickel

Shell plating : Matte Tin

Durability: 10,000 Cycles

Packaging : Tape and Reel (1,500pcs/reel)



Recommended PCB Layout
Viewed from Component Side
(Tolerance: ±0.05)

HOW TO ORDER

U C 0 4 - L C 0 5 2 - C X R - M

Locating Peg Options:
A = With Peg (Standard)
B = Without Peg

REV. DATE & DRN
10 19/07/10 - NYW RELEASE
11 13/02/12 - NYW ADD LOCATION PEG OPTION
12 AMEND CURRENT RATING

Scale: 6.4:1
Drawn: NYW
App'd: XXXX
Date: 11 MAY '12

THIRD ANGLE
Title SOCKET
Revision: 12

Unstated Tolerances:
X ± 0.40
XX ± 0.25
XXX ± 0.05

Material SEE NOTE
NOT TO SCALE
UNIT: mm



www.gradconn.com

THIS DRAWING IS CONFIDENTIAL AND MUST NOT BE COPIED OR DISCLOSED WITHOUT WRITTEN CONSENT

Type: UC04-LC

UC04-LC

Drawing Number:

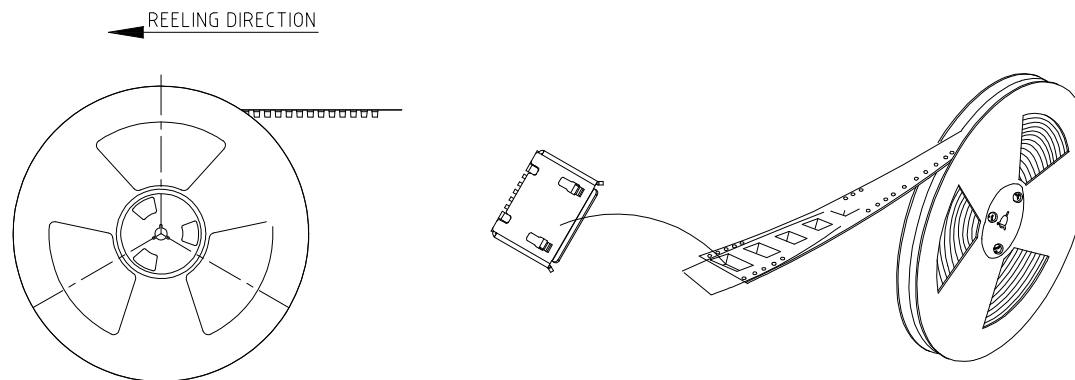
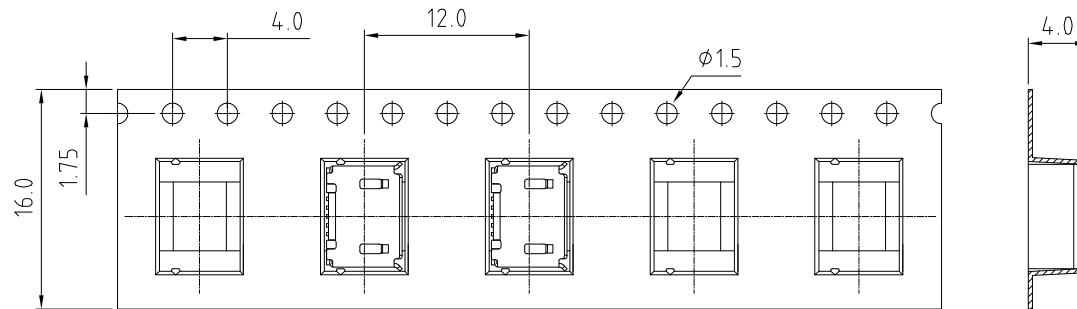
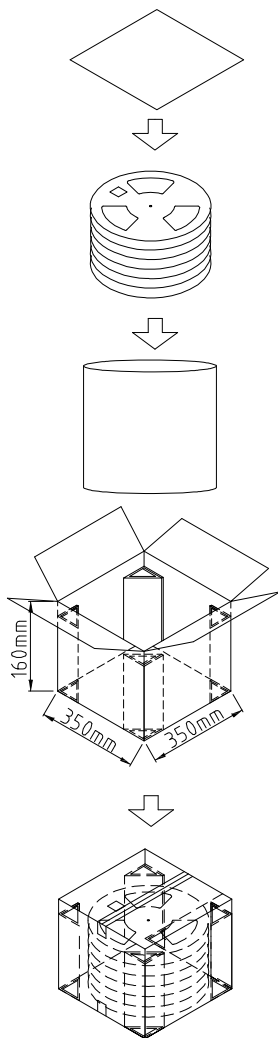
Sheet 1 of 2

Drawing © E and OE

UC04-LC : Packaging Drawing

Specifications:

1. Packaging confirms EIA-481-C standard.
2. 10 sprocket hole pitch cumulative tolerance ± 0.2 mm.
3. Material: Polystyrene (PS).
4. Reel dia.: 33cm.
5. Component load per reel: 1,500pcs.
6. 4 reels per full carton.



REV. DATE & DRN
TO: 19/07/10 - NYW RELEASE

Scale: NTS	THIRD ANGLE	Unstated Tolerances: X ± 0.20 XX ± 0.10 XXX ± 0.05	Material SEE NOTE
Drawn: NYW			
App'd: XXXX	Title PACKAGING	NOT TO SCALE	
Date: 19 JUL '10	Revision: 1.0	Unit: mm	



www.gradconn.com

© THIS DRAWING IS CONFIDENTIAL AND MUST NOT BE COPIED OR DISCLOSED WITHOUT WRITTEN CONSENT

Type: UC04-LC
UC04-LC
Drawing Number:
Sheet 2 of 2
Drawing © E and O E