

UC04-LB :- Micro USB Socket, B Type, SMT, 5P, Bottom Mount, With Shell Stake Pegs

Specifications -

Current rating : Pins 2, 3, 4 (Signal) :1.0A AC/DC

Pins 1, 5 (Power) : 1.8A AC/DC

Contact resistance : 30m Ohms max.

Insulation resistance : 100M Ohms min.

Withstanding voltage : 250V AC/minute

Operation emperature : -25°C to +85°C

Insulator material : LCP, UL94V-0

Contact material : Copper Alloy

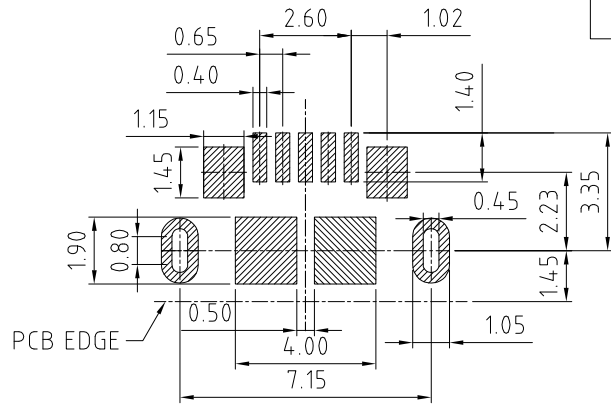
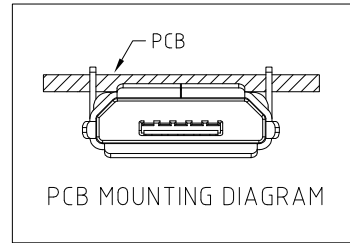
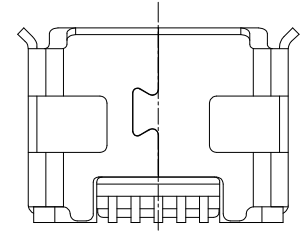
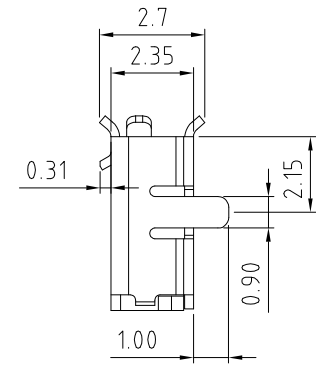
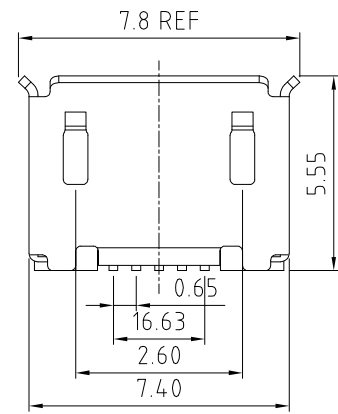
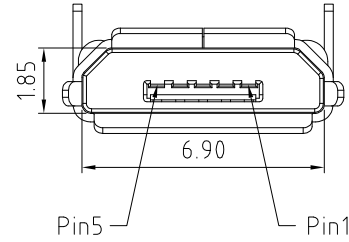
Shell material : Stainless steel

Contact plating : 30u" Gold on Contact/Gold Flash on Tail over Nickel

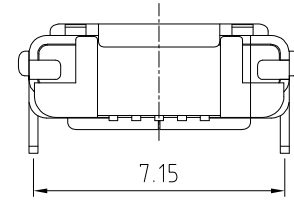
Shell plating : Matte Tin

Durability: 10,000 Cycles

Packaging : Tape and Reel (1,500pcs/reel)



Recommended PCB Layout
Viewed from Component Side
(Tolerance: ±0.05)



HOW TO ORDER

U C 0 4 - L B 0 5 2 - C 0 R - M

REV.	DATE & DRN
10	11/05/10 - NYW RELEASE
11	06/01/12 - NYW AMPL
12	21/05/13 - NYW AMEND CURRENT RATING

Scale: 6.4:1	THIRD ANGLE	Unstated Tolerances: X ± 0.40 XX ± 0.25 XXX ± 0.05	Material SEE NOTE
Drawn: NYW			
App'd: XXXX	Title SOCKET		NOT TO SCALE
Date: 11 May '12	Revision: 12		UNIT: mm



www.gradconn.com

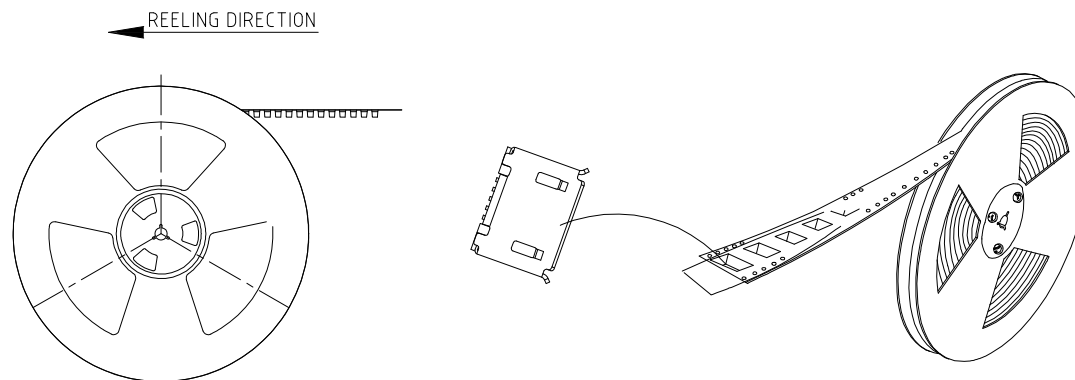
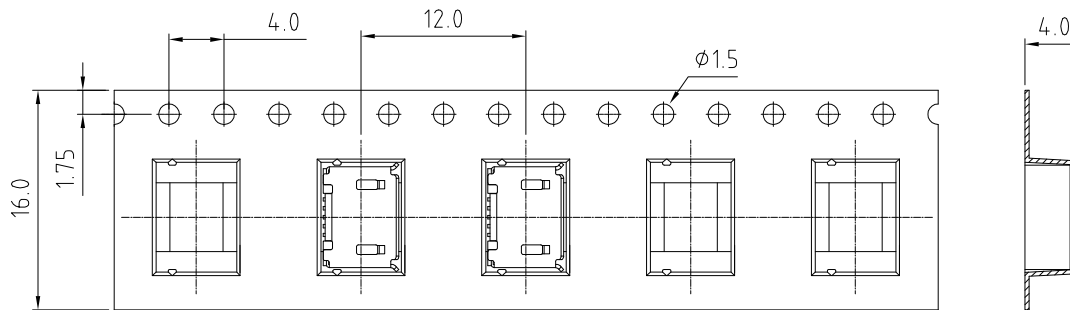
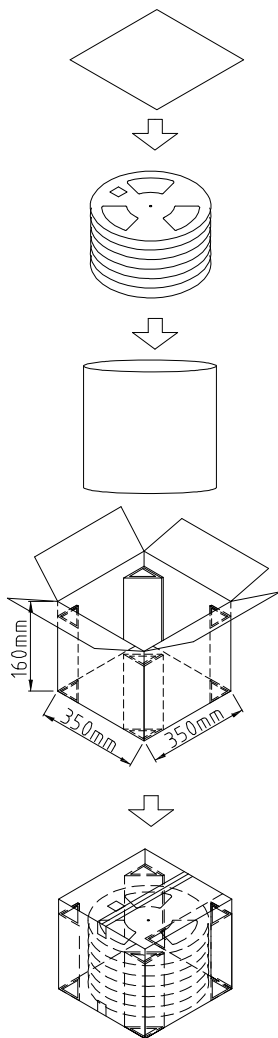
THIS DRAWING IS CONFIDENTIAL AND MUST NOT BE COPIED OR DISCLOSED WITHOUT WRITTEN CONSENT

Type: UC04-LB
UC04-LB
Drawing Number:
Sheet 1 of 1
Drawing © E and O E

UC04-LB : Packaging Drawing

Specifications:

1. Packaging confirms EIA-481-C standard.
2. 10 sprocket hole pitch cumulative tolerance ± 0.2 mm.
3. Material: Polystyrene (PS).
4. Reel dia.: 33cm.
5. Component load per reel: 1,500pcs.
6. 4 reels per full carton.



REV. DATE & DRN	Scale: NTS	THIRD ANGLE	Unstated Tolerances:	Material
1.0 10/05/10 - NYW RELEASE	Drawn: NYW		X ± 0.20	SEE NOTE
1.1 10/01/12 - NYW AMEND PACK MULTIPLE	App'd: XXXX	Title PACKAGING	XX ± 0.10	NOT TO SCALE
	Date: 10 JAN '12	Revision: 1.1	.XXX ± 0.05	Unit: mm

 www.gradconn.com	Type: UC04-LB
	UC04-LB
	Drawing Number:
	Sheet 2 of 2
© THIS DRAWING IS CONFIDENTIAL AND MUST NOT BE COPIED OR DISCLOSED WITHOUT WRITTEN CONSENT	Drawing © E and O E