

UC04-LA :- Micro USB Socket, B Type, SMT, 5P, Bottom Mount

Specifications -

Current rating : Pins 2, 3, 4 (Signal) :1.0A AC/DC

Pins 1, 5 (Power) : 1.8A AC/DC

Contact resistance : 30m Ohms max.

Insulation resistance : 100M Ohms min.

Withstanding voltage : 250V AC/minute

Operation emperature : -25°C to +85°C

Insulator material : LCP, UL94V-0

Contact material : Copper Alloy

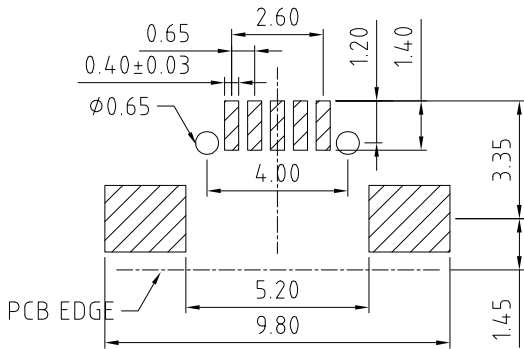
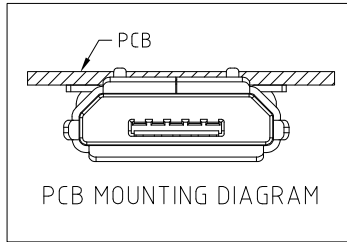
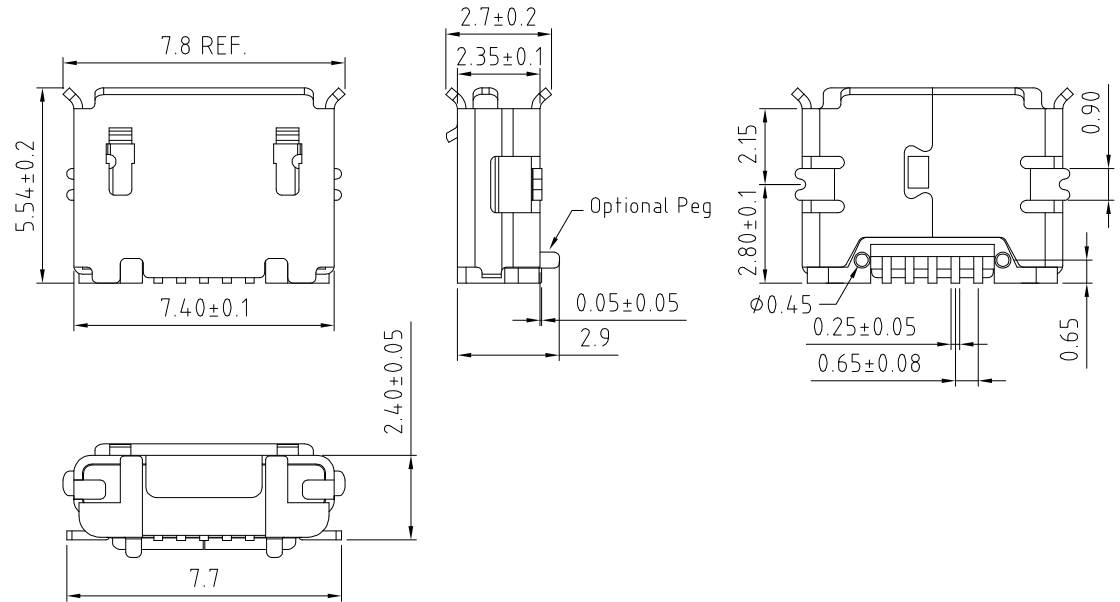
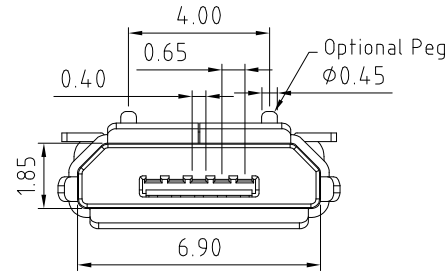
Shell material : Stainless steel

Contact plating : 30u" Gold on Contact/Gold Flash on Tail over Nickel

Shell plating : Matte Tin

Durability: 10,000 cycles

Packaging : Tape and Reel (1,500pcs/reel)



Recommended PCB Layout
Viewed from Component Side
(Tolerance: ±0.05)

HOW TO ORDER

U C 0 4 - L A 0 5 2 - C X R - M

Locating Peg Options :
A = With Peg
B = Without Peg (Standard)

REV. DATE & DRN
11 17/05/12 - NYW
Amend current rating.

| | | | |
|------------------|---------------|---|----------------------|
| Scale: 6.4:1 | THIRD ANGLE | Unstated Tolerances: X ± 0.40 XX ± 0.25 XXX ± 0.05 | Material SEE NOTE |
| Drawn: NYW | | | |
| App'd: XXXX | Title SOCKET | | NOT TO SCALE |
| Date: 11 May '12 | Revision: 1.1 | | UNIT: mm |

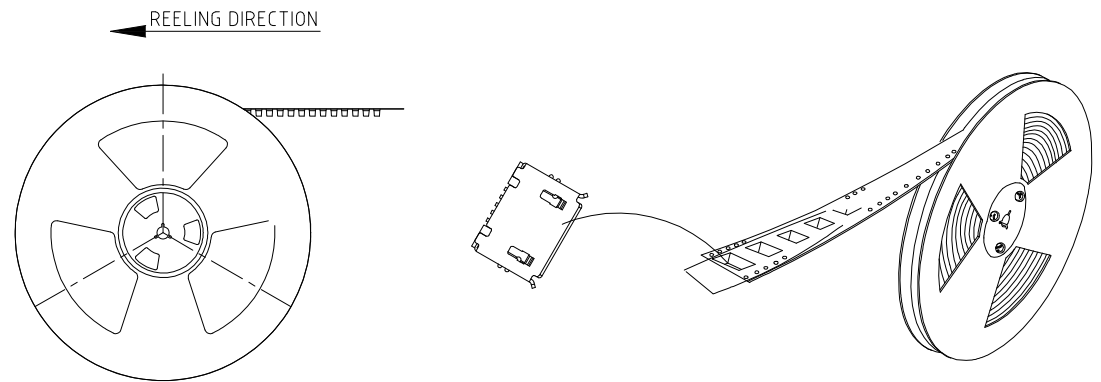
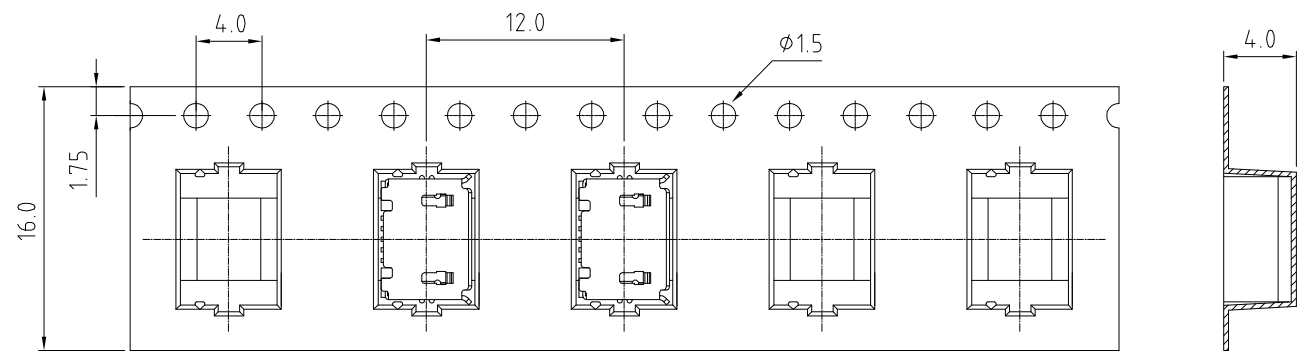
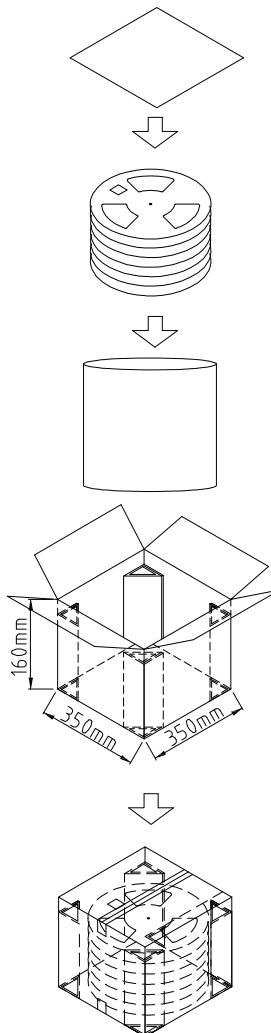
www.gradconn.com

THIS DRAWING IS CONFIDENTIAL AND MUST NOT BE COPIED OR DISCLOSED WITHOUT WRITTEN CONSENT

| |
|---------------------|
| Type: UC04-LA |
| UC04-LA |
| Drawing Number: |
| Sheet 1 of 2 |
| Drawing © E and O E |

UC04-LA : Packaging Drawing

- Specifications:
1. Packaging confirms EIA-481-C standard.
 2. 10 sprocket hole pitch cumulative tolerance ± 0.2 mm.
 3. Material: Polystyrene (PS).
 4. Reel dia.: 33cm.
 5. Component load per reel: 1,500pcs.
 6. 4 reels per full carton.



REV. DATE & DRN
TO 09/02/10 - NYW RELEASE

| | | | |
|------------------|-----------------|---|----------------------|
| Scale: NTS | THIRD ANGLE | Unstated Tolerances: X ± 0.20 XX ± 0.10 XXX ± 0.05 | Material SEE NOTE |
| Drawn: NYW | | | |
| App'd: XXXX | Title PACKAGING | NOT TO SCALE | |
| Date: 09 FEB '10 | Revision: 1.0 | Unit: mm | |

www.gradconn.com

THIS DRAWING IS CONFIDENTIAL AND MUST NOT BE COPIED OR DISCLOSED WITHOUT WRITTEN CONSENT

| |
|---------------------|
| Type: UC04-LA |
| UC04-LA |
| Drawing Number: |
| Sheet 2 of 2 |
| Drawing © E and O E |