

RFPC-SMA23-FN: SMA Bulkhead Jack With O-ring, Edge Mount Connector, Rated to IP68/69K, 6GHz

Material and Plating:

- Insulator A: Teflon
- Insulator B: Teflon
- Body: Brass, Gold Plated
- Pin: Phosphor Bronze, Gold Plated
- Gasket A: Silicone rubber, Color: Red
- Gasket B: Silicone rubber, Color: Red
- O-Ring: Silicone rubber, Color: Red
- Barrel: Brass, Gold Plated

Washer: Brass, Gold Plated

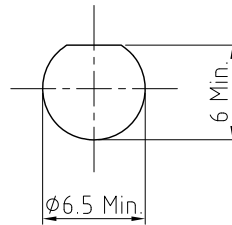
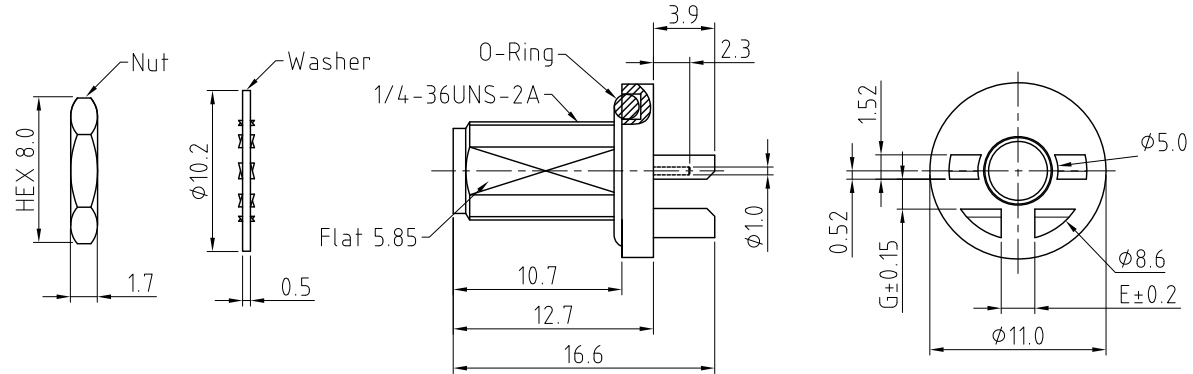
Nut: Brass, Gold Plated

Environmental:

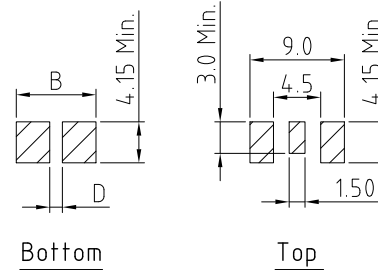
- A. Tested to:
  - i. IP6x - Dust tight - no particle ingress.
  - ii. IPx8 Waterproof for 48 hours at 1 meter underwater.
  - iii. IPx9K Water spray, 14-16L per minute, at 8,000 ~ 10,000 kPa, at 100-150mm distance for 30 seconds.

Notes:

- 1. Working Frequency Range: DC-6GHz.
- 2. Operating Temperature: -65°C to +165°C.
- 3. Impedance: 50 Ohm
- 4. VSWR: 1.5 Max.
- 5. Recommended PCB Thickness: 0.80mm or 1.60mm.  
Other PCB thickness available on request



Recommended Mounting Hole



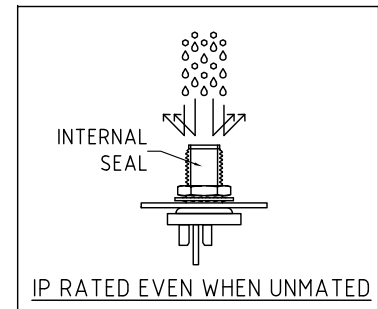
Recommended Foot Print  
Tolerance: ±0.05

Dim B	Dim D	Dim E	Dim G	Recommended PCB thickness
8.4	3.7	4.0	0.95	0.80
7.6	1.2	1.55	1.86	1.60

HOW TO ORDER  
RFPC - SMA23 - FN - XXX - X

DIMENSION G OPTIONS:  
095 = 0.95MM, FOR 0.80MM PCB THICKNESS  
186 = 1.86MM, FOR 1.60MM PCB THICKNESS

WASHER AND NUT OPTIONS:  
BLANK = SEPARATELY PACKED (STANDARD)  
A = ALL ASSEMBLED WITH CONNECTOR



REV. DATE & DRN	10 23/05/73 - NYW RELEASE
11 26/06/73 - NYW UPDATE IP RATING	
12 08/09/73 - NYW ANGLE DIMENSION	
13 31/03/74 - CC ADD IP RATING VIEW	
14 12/04/74 - CC ADD NOTE FOR OTHER PCB THICKNESS	
15 12/04/74 - CC ADD 0.95MM GAP OPTIONS.	

Scale: NTS	THIRD ANGLE	Unstated Tolerances: .X ±0.2 .XX ±0.2 .XXX ±0.2 ANGLES N/A
Drawn: CC		
App'd: XXX	Title SMA PCB Connector	
Date: 29 JUL '24	Revision: 15	Unit: mm

		Type: RFPC-SMA23-FN
IP Rated RF Products	www.gradconn.com	RFPC-SMA23-FN
© THIS DRAWING IS CONFIDENTIAL AND MUST NOT BE COPIED OR DISCLOSED WITHOUT WRITTEN CONSENT		Drawing Number:
		Sheet 1 of 1
		Drawing © E and O E