



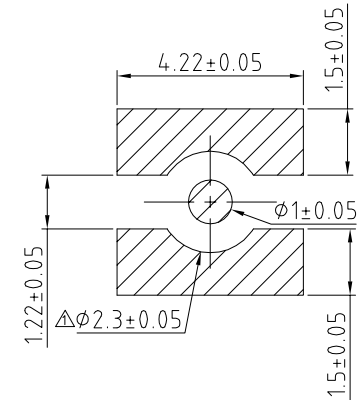
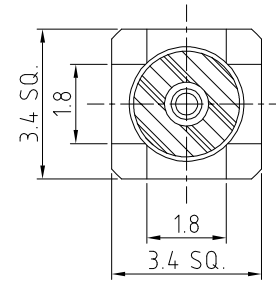
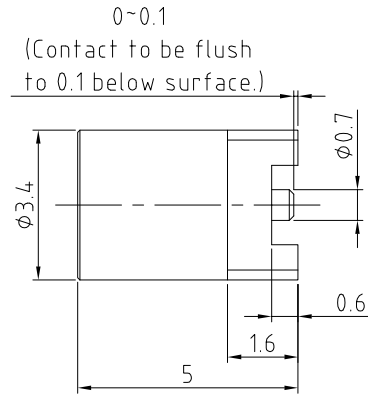
RFPC-MMX04-F : MMCX Straight Jack, Surface Mount Type

Material and Plating:

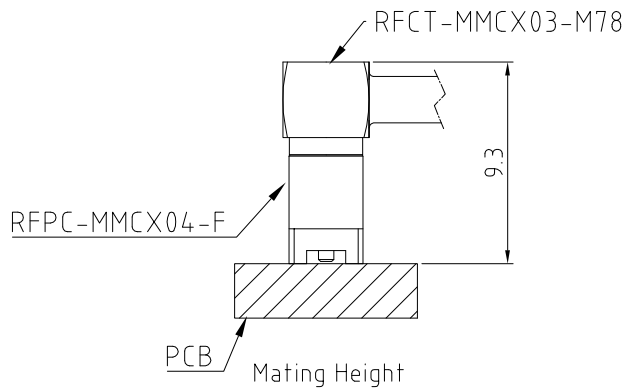
Insulator: PTFE
 Pin: Be Cu, Gold
 Body: Brass, Gold

Specification:

Durability: 500 Mating Cycles Min.
 Operating Temperature: -40°C~+125°C
 Working Frequency Range: DC~6GHz
 Impedance: 50 Ohm.



Recommended PCB SMT Layout



HOW TO ORDER
 R F P C - M M C X 0 4 - F - X

PACKAGING OPTIONS:
 T = TRAY
 R = TAPE & REEL + CAP (1,500PCS/REEL)

REV. DATE & DRN	10 20/05/19 - NYW RELEASE
	11 24/02/20 - NYW ADD MATING HEIGHT DIAGRAM
	12 27/07/20 - NYW AMEND OPERATING TEMP..
	13 24/12/21 - NYW ΔAMEND DIMENSION
	14 14/02/23 - NYW ADD IMPEDANCE

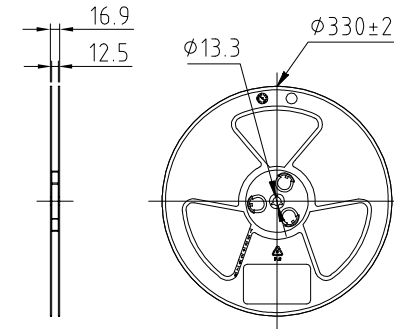
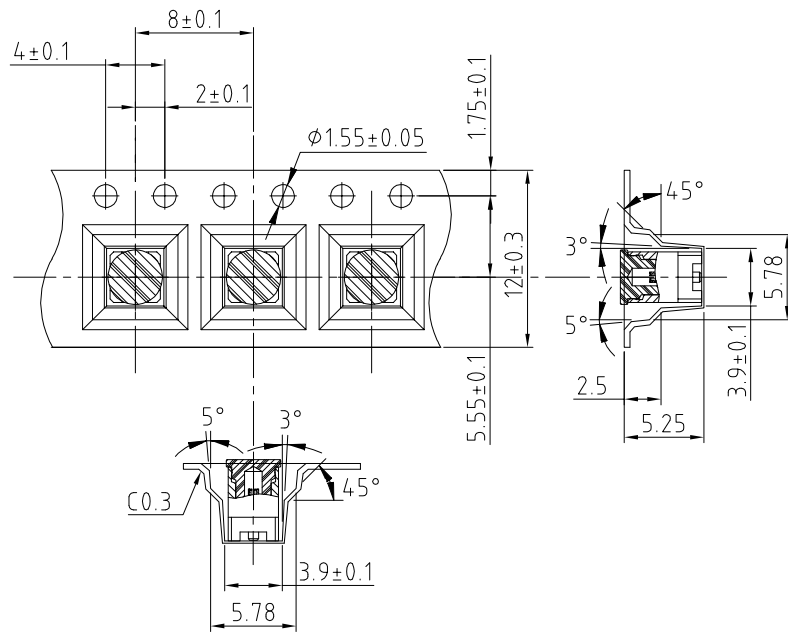
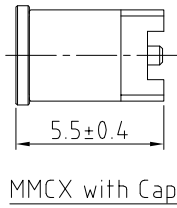
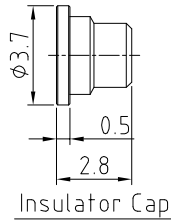
Scale: NTS	THIRD ANGLE	Unstated X ±0.2 .XX ±0.2 .XXX ±0.2 ANGLES ±5	Tolerances: ±0.2 ±0.2 ±0.2 ±5	Material SEE NOTE
Drawn: NYW		Title JACK		NOT TO SCALE
App'd: XXX	Revision: 1.4		Unit: mm	
Date: 14 FEB. '23				

www.gradconn.com

THIS DRAWING IS CONFIDENTIAL AND MUST NOT BE COPIED OR DISCLOSED WITHOUT WRITTEN CONSENT

Type: RFPC-MMX04-F
RFPC-MMX04-F
Drawing Number:
Sheet 1 of 2
Drawing © E and O E

RFPC-MMCX04-F : TAPE AND REEL PACKAGING DRAWING



- Notes:
1. Reel Diameter: 33cm
 2. Unit Per Reel: 1,500pcs.
 3. Insulator Cap Material: Polyamide Resin.

REV. DATE & DRN
10/20/05/19 - NYW RELEASE

Scale: NTS	THIRD ANGLE	Unstated Tolerances: .X ±0.2 .XX ±0.2 .XXX ±0.2 ANGLES ±5	Material SEE NOTE
Drawn: NYW			
App'd: XXX	Title JACK		NOT TO SCALE
Date: 20 MAY '19	Revision: 1.0		Unit: mm

www.gradconn.com

© THIS DRAWING IS CONFIDENTIAL AND MUST NOT BE COPIED OR DISCLOSED WITHOUT WRITTEN CONSENT

Type: RFPC-MMCX04-F
RFPC-MMCX04-F
Drawing Number:
Sheet 2 of 2
Drawing © E and O E