

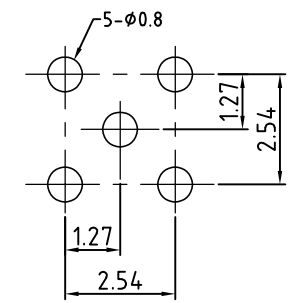
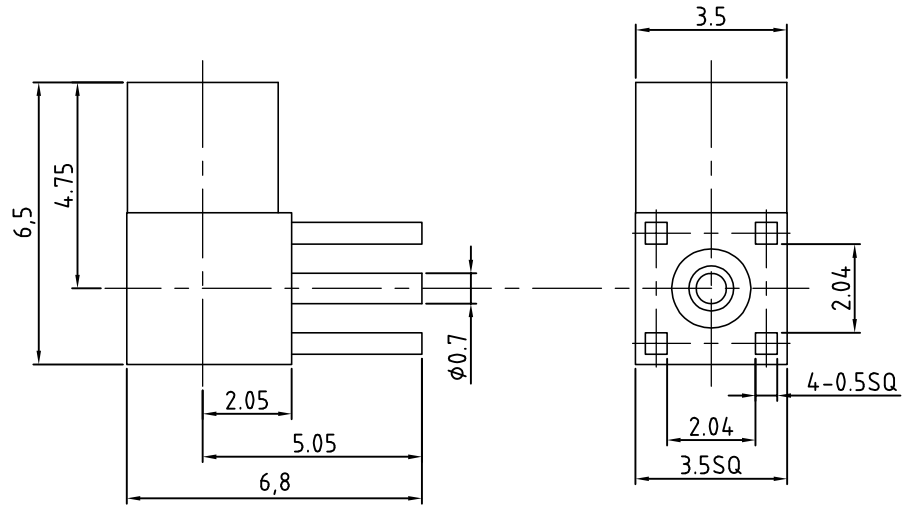
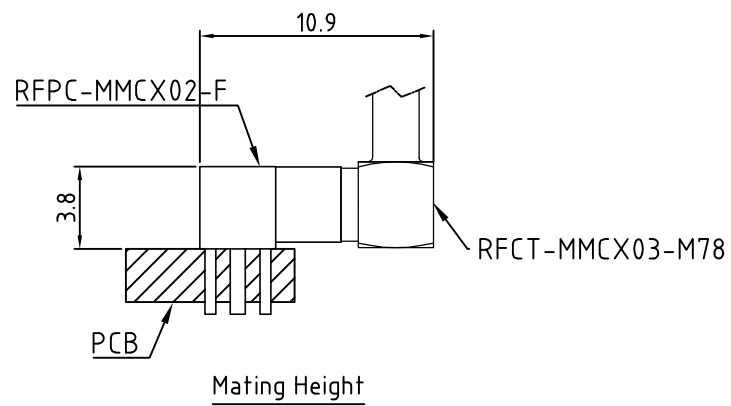
RFPC-MMCX02-F : MMCX Right Angle Jack, PCB Mount Type

Material and Plating:

Insulator A: Teflon
 Insulator B: Teflon
 Pin: Phosphor Bronze, Gold
 Body: Brass, Gold

Specification:

Durability: 500 Mating Cycles Min.
 Operating Temperature: -40°C~+125°C
 Working Frequency Range: DC~6GHz
 Impedance: 50 Ohm.
 Packaging: Bulk in Tray



Recommended PCB Layout

REV. DATE & DRN	1.0 07/02/16 - NYW RELEASE
2.0 25/06/19 - NYW RELEASE	ADD MATING CYCLE & OPERATING TEMP.
3.0 24/02/21 - NYW	ADD MATING HEIGHT DIAGRAM
13 24/07/20 - NYW	AMEND OPERATING TEMP.
14 07/02/23 - NYW	ADD IMPEDANCE.
15 09/05/25 - NYW	ADD SGT LOGO.

Scale: NTS	THIRD ANGLE	Unstated Tolerances:	Material
Drawn: NYW		.X ±0.2	SEE NOTE
App'd: XXX	Title JACK	.XX ±0.2	NOT TO SCALE
Date: 9 MAY '25	Revision: 1.5	.XXX ±0.2	Unit: mm
		ANGLES ±5	

GCT **GRADCONN**

www.gct.co www.gradconn.com

THIS DRAWING IS CONFIDENTIAL AND MUST NOT BE COPIED OR DISCLOSED WITHOUT WRITTEN CONSENT

Type: RFPC-MMCX02-F
RFPC-MMCX02-F
Drawing Number:
Sheet 1 of 1
Drawing © E and O E